

LIST OF PARTS

No. 56-2

MACHINE.

In ordering from this list, use **ONLY** the **PART** number, in the **FIRST** column.

The number stamped on Sewing Machine parts is in every case the number of the single part only.

While combination numbers are not stamped, every combination of parts sent out as a combination, has its specific number, which must be used when ordering the combination.

Each number always indicates the **SAME PART** in whatever list it appears, or for whatever machine.

The letters after some of the numbers indicate the style of finish only, as follows :

- A. Hardened, Polished and Plated.
- B. Polished and Plated.
- C. Hardened only.
- D. Polished “
- E. Soft, not Polished.

These letters **MUST BE USED** *when* they appear in the list, and **AFTER** the number, *as* in the list.

In this series

1 to 1500 are Screw Numbers.

1501 “ 1800 “ Nut “

1801 “ 2000 “ Roller “

2001 and upward are numbers of Machine Parts.

Parts marked with an asterisk (*) are furnished only when repairs are made at factory.

PARTS COMPLETE FOR
No. 56-2 MACHINE.

DROP FEED, UP-ARM, TWO NEEDLES, TWO SHUTTLES, WIDEST
GAUGE $\frac{5}{16}$ -IN.

No.	Plate	Name	Each
* 20501	—	Arm	4 50
8582	1150	" Dowel Pin	02
12453	1150	" Oil Tube for intermediate bearing	06
12454	1150	" " " " oiling 12409	06
20502	1150	" " " " " 12496	10
11119	1150	" " " " " 19156	10
748E	1157	" Screw (back)	08
868E	1157	" " (front)	10
16511	1141	" Shaft	1 90
* 11104	1142	" " Bushing (front)	30
12357	1142	" " Flanged Bushing (back)	25
448C	1158	" " " " " Set Screw	03
144D	1157	" " Screw	12
12480	1143	" Side Cap	05
219	1157	" " " Screw	02
12193	1143	" " Cover	10
286D	1158	" " " Thumb Screw	08
2415	1140	" Spool Bracket	25
159	1157	" " " Screw	03
12403	1150	" " " Spool Pin and Thread Eyelet	05
11241	1142	Arm Spool Bracket Washer (cloth) per 100	25
15063	1140	" " " 2415 with two 12403	35
12423	—	Balance Wheel, light rim, 2-in. pulley with two 448c	75
12358	—	Balance Wheel, light rim, 2½-in. pulley with two 448c	75
12359	1140	Balance Wheel, light rim, 3-in. pulley with two 448c	75
448C	1158	Balance Wheel Set Screw	03
938E	1159	Bolt with 1524E, to secure machine to table	03
1524E	1159	" Nut	01
6055	1145	" " Washer	01
12496	1141	Crank Connecting Rod	1 35
* 14013	—	" " " Cap	—
896E	1157	" " " " Screw	04
908C	1158	" " " Hinge	12
1619E	1159	" " " " " Nut	05
* 20503	—	Cylinder, 2 $\frac{7}{16}$ -in. diam	15 00
20562	1143	" Cover for 26277	2 50
20505	1142	" Feed Cover	15
219	1157	" " " Screw	02

No.	Plate	Name	Each
19109	—	Face Plate	50
19110	1143	" " 19109 with 19154, 19155 and two 12152	1 60
190D	1157	Face Plate Screw	03
286D	1158	" " Thumb Screw	08
20506	1141	Feed Bar	75
923E	1158	" " Hinge Screw	10
3033	1145	" Connecting Link	20
375C	1158	" " " Hinge Screw	12
1518E	1159	" " " " Nut	04
20508	1152	" Dog, for $\frac{3}{32}$ -in. to $\frac{5}{32}$ -in. gauge, for lap seam feller	1 50
20509	1153	Feed Dog, for $\frac{1}{16}$ -in. and $\frac{3}{16}$ -in. gauge, for lap seam feller	1 50
20507	1151	Feed Dog, for $\frac{1}{4}$ -in. to $\frac{5}{16}$ -in. gauge, for lap seam feller	1 50
20510	1152	Feed Dog, for $\frac{3}{32}$ -in. to $\frac{5}{32}$ -in. gauge (spiked teeth) for heavy work on duck, overalls, etc	1 50
20511	1153	Feed Dog, for $\frac{1}{16}$ -in. and $\frac{3}{16}$ -in. gauge (spiked teeth) for heavy work on duck, overalls, etc	1 50
20512	1151	Feed Dog, for $\frac{1}{4}$ -in. to $\frac{5}{16}$ -in. gauge (spiked teeth) for heavy work on duck, overalls, etc	1 50
20513	1154	Feed Dog for staying	1 50
704C	1157	" " Screw	04
NOTE:—When ordering No. 20513 give gauge required.			
3074	1142	Feed Eccentric with 446c	30
446C	1158	" " Set Screw	03
20518	1141	" Forked Connection	1 00
* 20519	—	" " " Cap	—
175E	1157	" " " " Screw	02
20520	1145	" Raising Fork	50
157E	1157	" " " Screw	04
20521	1142	" Regulator	30
58E	1157	" " Hinge Screw	15
818D	1158	" " Thumb	12
20522	1141	" Rock Shaft	75
20523	1141	" " " Arm with 460c	50
2049	1150	" " " " Pin	01
460C	1158	" " " " Set Screw	02
295C	1158	" " " Screw Centre	15
1513C	1159	" " " " " Nut	05
18914	1142	Needle Bar (hollow)	60
12382	1144	" " Connecting Link with 794c	50
794C	1144	" " " " Adjusting Ser.	03
12383	—	" " " Stud	40
1004	1144	" " " Roller (roller only)	12

No.	Plate	Name	Each
453o	1158	Needle Bar Connecting Stud Set Screw....	02
12384	1144	" " " " 12383 with 453o and 1904.....	50
12385	1142	Needle Bar Crank with 855o and 858o.....	80
858o	1158	" " " Set Screw.....	08
855o	1158	" " " Timing Screw.....	10
696E	1158	" " Plug Screw.....	03
12495	1150	" " " Rivet.....per 100..	05
936D	1158	" " Screw Bushing.....	06
20524	1150	" Clamp with two 209.....	1 25
NOTE:—When ordering No. 20524 give gauge required.			
2273	1150	Needle Clamp Pin.....	01
209	1157	" Set Screw.....	02
19386	1142	Oscillating Rock Shaft.....	1 00
19387	—	" " " 19386 with 4784 and 12388.....	1 50
12388	1142	Oscillating Rock Shaft Hinge Pin.....	50
878D	1158	" " " " " Oil Hole Stop Screw.....	06
12459	1150	Oscillating Rock Shaft Hinge Pin Oil Hole Stop Screw Washer (leather)....per 100..	50
44bo	1158	Oscillating Rock Shaft Hinge Pin Set Screw	03
4784	1150	" " " Oil Pad.....	01
20525	1141	" Shaft.....	85
19496	—	" Crank.....	25
19388	1149	" " " 19496 with 460o, 1518E and 19390.....	80
2049	1150	Oscillating Shaft Crank Pin.....	01
460o	1158	" " " Set Screw.....	02
19389	1149	" " " Slide Block.....	35
229D	1149	" " " " " Cap Ser.	02
12424	1149	" " " " " " " Washer.....	02
969o	1149	Oscillating Shaft Crank Slide Block Screw Stud.....	15
1518E	1159	Oscillating Shaft Crank Slide Block Screw Stud Nut.....	04
19390	1149	Oscillating Shaft Crank Slide Block 19389 with 229D, 969o and 12424.....	50
16045	1150	Oscillating Shaft (back bearing) Oil Tube.	06
20563	1142	Presser Bar (hollow).....	80
12326	1145	" " Guide Bracket with 453o.....	25
453o	1158	" " " " Set Screw.....	02
2062	1145	" " Lifter.....	25
689o	1157	" " Hinge Screw.....	08
1520o	1159	" " " " " Nut.....	08
12327	1145	" " Lifting and Releasing Lever Bracket.....	50
860E	1158	Presser Bar Plug Screw.....	03
11167	1142	" " Spring (spiral) light .051 wire	05
12189	1142	" " " " medium .055 " "	05

No.	Plate]	Name	Each
20023	1142	Presser Bar Spring (spiral) heavy .063 wire	05
11170	1150	" " " Washer.....	01
330D	1158	" Foot Clamping Screw.....	03
21016	—	" " Shank.....	1 50
20530	1150	" " Plate Hinge Pin.....	01
20637	—	Presser Foot Plate for 20638.....	1 25
20638	1152	" " (hinged) Nos. 330D, 20530, 20637 and 21016, for Lap Seam Feller....	2 75

NOTE:—When ordering No. 20637 or 20638 give the gauge and size of the Lap Seam Feller with which it is to be used.

20642	—	Presser Foot Plate for 20643.....	1 00
20643	1154	" " (hinged) Nos. 330D, 20530, 20642 and 21016, for inside stays, for 20551	2 50
20645	—	Presser Foot Plate for 20646.....	1 25
20646	1156	" " (hinged) Nos. 330D, 20530, 20645 and 21016, for staying seams.....	2 75
20647	—	Presser Foot Plate for 20648.....	3 00
20648	1156	" " (hinged) Nos. 330D, 20530, 20647 and 21016, for strip folding, with guide for opening seams.....	4 50
21015	—	Presser Foot Plate for 21014.....	75
21014	1151	" " (hinged) Nos. 330D, 20530, 21015 and 21016, for general work.....	2 25
21017	1156	Presser Foot (solid) with 330D.....	1 50

NOTE:—When ordering Nos. 20642, 20643, 20645 to 20648, 21014, 21015 or 21017 give the gauge required.

688E	1158	Pressure Regulating Thumb Screw.....	25
19131	1148	Shuttle (inside) Bobbin.....	05
20536	1148	" " " Case Latch and Position Finger.....	35
2521	1148	Shuttle (inside) Bobbin Case Latch and Position Finger Spring.....	02
592E	1148	Shuttle (inside) Bobbin Case Latch and Position Finger Stop Screw.....	03
20538	1147	Shuttle (inside) Bobbin Case Position Plate	1 75
935E	1157	" " " " " " " Screw.....	04
20533	1148	Shuttle (inside) Bobbin Case complete, Nos. 591, 592E, 2521, 19149 and 20536....	75
20540	1148	Shuttle (inside) Body.....	75
591	1148	" " Tension Regulating Screw	02
19149	1148	" " " Spring.....	10
20531	1148	" " 1 1/8 in. diam., No. 20540 with 19131 and 20533.....	1 50
19131	1148	Shuttle (outside) Bobbin.....	05
20537	1148	" " " Case Latch and Position Finger.....	35

No. 56-2 Machine Parts.

No.	Plate	Name	Each
2521	1148	Shuttle (outside) Bobbin Case Latch and Position Finger Spring.....	02
592E	1148	Shuttle (outside) Bobbin Case Latch and Position Finger Stop Screw.....	02
20539	1147	Shuttle(outside) Bobbin Case Position Plate	1 25
190D	1157	" " " " " " Screw.....	03
20534	1148	Shuttle (outside) Bobbin Case complete, Nos. 591, 592E, 2521, 19150 and 20537 ...	75
19137	1148	Shuttle (outside) Body	75
591	1148	" " Tension Regulating Screw	02
19150	1148	" " Spring.....	10
20532	1148	" " 1 1/8-in. diam., No. 19137 with 19131 and 20534.....	1 50
20639	1149	Shuttle Driver and Feed Lifting Eccentric.	3 00
NOTE :—When ordering No. 20639 give the gauge required.			
2049	1150	Shuttle Driver and Feed Lifting Eccentric Pin	01
20544	—	Shuttle Race Body.....	2 00
20545	1147	" " Loop Separator.....	1 00
662D	1158	" " " " Screw	02
131E	1157	" " Screw.....	04
20543	1147	" " complete, Nos. 935E, 20538, 20539, 20544, 20545 and two each 190D and 662D	6 00
NOTE :—When ordering either No. 20543 or 20545 give gauge required.			
2921	1146	Tension Disc	05
19191	1146	" Plate, for upper tension, with 19231	50
134D	1157	" " Screw.....	06
1560C	1146	" Regulating Thumb Nut.....	04
19192	1146	" Releaser	15
12397	1145	" Releasing Lever.....	20
12398	1145	" " " Hinge Pin.....	01
12329	1145	" " Spring	02
19193	1146	" " " (intermediate) ...	10
19231	1146	" " " " "	—
		Hinge Block.....	—
2269	1146	Tension Releasing Lever (intermediate) Hinge Pin.....	01
19194	1146	Tension Releasing Lever (intermediate) Spring	03
916	1146	Tension Screw Stud.....	08
1547D	1146	" " " Nut.....	03
2923	1146	" Spring	03
12149	1150	" Thread Guard	05

No.	Plate	Name	Each
19195	1146	Tension complete (upper) with Tension Release, Nos. 2269, 19191, 19193, 19194, two each 916, 1547D, 1560C, 2923, 19192, and four 2921.....	1 50
19154	1150	Thread Guard (lower) for 19110.....	25
12152	1150	" " " Rivet.....per 100..	10
19155	1150	" " (upper) for 19110.....	20
12152	1150	" " " Rivet.....per 100..	10
19159	1149	" Guide Body.....	30
19161	1149	" " Cap	10
19160	1149	" " Roller.....	10
905D	1157	" " Screw.....	04
19162	—	" " complete (roller) Nos. 905D and 19159 to 19161	50
12404	1144	Thread Take-up Crank.....	80
3094	1144	" " " Wedge	10
690E	1144	" " " " Screw	05
19156	1144	" " Lever.....	30
775E	1144	" " " Cap Screw.....	06
12166	1144	" " " Hinge Pin.....	05
12409	1144	" " " Link	25
11204	1144	" " " " Hinge Pin.....	15
430C	1144	" " " " " " Set Screw.....	04
19157	1144	Thread Take-up Lever 19156 with 12166 and 12409.....	65
19158	1150	Thread Take-up Spring (music wire).....	03
7336	1149	" " " Regulator.....	25
448C	1158	" " " " Set Screw	03
20548	1151	Thread Plate for 20507, 20512 and 26277....	2 00
20549	1152	" " " 20508, 20510 " "	2 00
20550	1153	" " " 20509, 20511 " "	2 00
20551	1154	" " " 20513.....	1 75
20552	—	" " (straight) for 20507 and 20512..	1 75
20553	—	" " " " 20508 " 20510..	1 75
20554	—	" " " " 20509 " 20511..	1 75
691	1158	" " Screw	04
20561	1164	Drip Pan.....	05

From the library of: Diamond Needle Corp

LAP SEAM FELLER PARTS.

No.	Plate	Name	Each
*26352	—	Folder for 26353	3 25
20636	—	" Slide with 10165	15
19294	1153	" " Spring	05
405E	1158	" " " Screw.....	02
10165	1150	" " Stop Pin.....	01

Lap Seam Feller Parts.

No.	Plate	Name	Each
26277	1153	Holder (adjustable).....	75
922D	1158	" Thumb Screw.....	10
26353	1155	Lap Seam Feller (right hand) complete, Nos. 20636 and 26352, for gauges $\frac{3}{8}$ -in. to $\frac{5}{8}$ -in., for light, medium, heavy, x heavy, xx heavy and xxx heavy material.....	3 40
*26389	—	Folder for 26390.....	3 25
26390	1155	Lap Seam Feller (left hand) complete, Nos. 20636 and 26389, for gauges $\frac{3}{8}$ -in. to $\frac{5}{8}$ -in., for light, medium, heavy, x heavy, xx heavy and xxx heavy material.....	3 40
NOTE:—When ordering No. 26353, 26390, 26392 or 26394 give gauge required and send sample or description of material with order.			
*26391	—	Folder for 26392.....	3 25
26392	1155	Lap Seam Feller (right hand) complete, to fold top only, Nos. 20636 and 26391.....	3 40
* 26393	—	Lap Seam Guide.....	1 85
26394	1156	" " " 26393 with 20636.....	2 00

SHIRT CLOSING PARTS.

No.	Plate	Name	Each
20641	1143	Cylinder Cover.....	2 50
20630	—	Feed Dog for gauges $\frac{1}{8}$ -in. and $\frac{3}{8}$ -in.....	1 50
20631	987	" " " " $\frac{1}{8}$ -in., $\frac{3}{8}$ -in. and $\frac{5}{8}$ -in.....	1 50
26337	987	Hemmer (foot) for felling.....	3 00
26338	987	" Bracket with two 211.....	1 25
211	987	" " Clamping Screw.....	02
26052	987	" Folder.....	25
26053	987	" Tongue.....	10
20632	—	Throat Plate with 2653 for 20630.....	2 00
20633	987	" " " " " 20631.....	2 00
26054	987	" " Cloth Guide.....	1 50
102D	987	" " " " Screw.....	04
1530E	987	" " " " " Nut.....	03
2653	987	" " " " " Stop Pin.....	01
26339	987	" " Spring ".....	15
233D	987	" " " " Screw.....	02

FOOT LIFTER PARTS.

No.	Plate	Name	Each
13351	—	Chain 46 in. to 55 in. long.....	30
NOTE:—When ordering 13351 state length required.			
16510	1140	Lifting Lever with 448c.....	20
802D	1157	" " Hinge Screw.....	13
12241	1145	" " Link.....	10
766D	1157	" " Hinge Screw.....	05
12240	1145	" " Pin.....	05
448c	1158	" " " Set Screw.....	03
20559	1140	" " Spring.....	05
20558	1140	Pitman, 13 in. long.....	10
12416	1145	" Joint.....	08
76D	1157	" " Hinge Screw.....	05
1521E	1159	" Lock Nut.....	03
14209	1164	Treadle.....	30
7585	1140	" Shaft.....	05
14210	1164	" Stand.....	25
14211	1164	" complete, Nos. 7585, 14209, 14210 and four wood screws, $1\frac{1}{4}$ -in. No. 12.....	60
20560	—	Foot Lifter complete, Nos. 76D, 766D, 802D, 1521E, 12240, 12241, 12416, 13351, 14211, 16510, 20558 and 20559.....	1 70

OBSOLETE PARTS.

No.	Plate	Name	Each
20504	1143	Cylinder Cover, use 20562 or 20641.....	2 50
19166	1142	Oscillating Rock Shaft for 1902.....	1 00
19167	—	" " " 19166 with 12388... ..	1 50
12443	1160	" " " Oil Pad for 16508... ..	01
16508	1160	" " " " " Holder with 12443 for 19166.....	05
12390	1160	Oscillating Shaft Crank 19496 with 460c, 1518E and 1902.....	65
20526	1142	Presser Bar for 20527.....	80
20527	1156	" Foot (hinged).....	2 25
20529	—	" " Plate.....	1 25
20528	—	" " Shank.....	1 00
20542	1160	Shuttle Driver and Feed Lifting Eccentric, use 20639.....	3 00
20547	1149	Shuttle Tension Spring for 20534, use 19150.....	10
19153	1160	Tension (upper) complete, Nos. 19151, two each 637, 1547D, 1560c, 8238 and four 2102.....	95
19152	1160	Tension Plate Stud.....	10
19151	1160	" " for upper tension with 19152.....	40

ATTACHMENTS AND ACCESSORIES.

No.	Plate	Name	Each
25955	1161	Oiler with 25956.....	15
25956	1161	" Spout, 8½ in. long.....	07
26026	1161	Screw Driver (machine).....	10
26027	1161	" " (shuttle tension).....	05
20535	1149	Shuttle Bobbin Case Extractor.....	10
26384	1154	Stay Guide (lower).....	20
26385	1154	" " (upper).....	20
26386	—	" " complete, Nos. 26384 and 26385.	40
337D	1158	" " Screw.....	02
26298	—	Tweezers.....	10
4347	1161	Wrench for 1513 and 1518.....	15
8908	1161	" " 1520.....	10
19221	1161	" " 936 and 1619.....	15

BOBBIN WINDER (SWINGING, AUTOMATIC, RIGHT HAND).

No.	Plate	Name	Each
27552	1162	Base.....	15
15072	1150	Bobbin Position Pin.....per 100..	10
27302	1162	Frame.....	15
32D	1157	" Hinge Screw.....	15
27303	1150	" Spring.....	03
27553	1162	Pulley.....	20
27538	1162	Spindle with 15072.....	20
27306	1162	Spool Pin.....	05
27307	1162	" Stand.....	10
27308	1162	" " 27307 with 418D, 1562D, 2106, 10141, 11241, 27306, wood screw 1-in. No. 10. and two 2455.....	35
11241	1142	Spool Washer (cloth).....per 100..	25
27587	1162	Stop Latch.....	10
35D	1157	" " Hinge Screw.....	07
2455	1150	Tension Disc.....	02
1562D	1159	" Regulating Thumb Nut.....	04
418D	1158	" Screw Stud.....	08
10141	1150	" Spring.....	01
2106	1150	" Thread Guide.....	01
27651	1162	Bobbin Winder, includes 32D, 35D, 27302, 27303, 27538, 27552, 27553, 27587 and two wood screws, 1-in. No. 7.....	1 00
27588	—	Bobbin Winder (swinging, automatic, right hand) complete, 27651 with 27308.....	1 35

THREAD UNWINDER.

FOR TWO LARGE SPOOLS.

No.	Plate	Name	Each
27555	1140	Spool Pin.....	08
27583	1163	" Rest.....	20
27556	—	" " 27583 with 138B and two 27555.	40
138B	1157	" " Set Screw.....	05
27557	1163	" Stand with 138B.....	25
27558	1163	" Weight, 4-in. diam. with 27592.....	15
27592	1160	" " Centre Pin.....	05
27559	1163	Thread Guard.....	20
27563	1163	" " Hub.....	20
330B	1158	" " Set Screw.....	03
27560	1163	" " Rod, 26-in. long.....	30
138B	1157	" " Set Screw.....	05
449C	1158	" " Set Screw.....	02
27561	—	" " 27559 with 330B, 449C & 27563	50
27562	1163	" Unwinder complete, Nos. 27556, 27557, 27560, 27561, two 27558 and three wood screws 1-in. No. 10.....	1 00

TRANSVERSE UNDER DRIVER.

No.	Plate	Name	Each
27593	1142	Brake (fibre).....	05
27594	1164	" Bracket with 27593 and two 327E... ..	25
927C	1158	" " Adjusting Screw.....	10
1513C	1159	" " " " Nut.....	05
307C	1158	" " Screw Centre.....	06
1513C	1159	" " " " Nut.....	05
327E	1158	" Screw.....	05
27595	1164	Cone Pulley (grooved) 4½-in. and 5½-in. diam. with 27473.....	50
27473	1145	Cone Pulley Centre Bearing.....	08
27596	1164	Dress Guard.....	15
354C	1157	" " Screw.....	06
2018	1150	" " Washer.....	01
27597	1164	Driving Pulley, 6½-in. diam. with 955C, 27598 and two 7958.....	75
27598	—	Driving Pulley Friction Ring (leather)....	05
7958	1150	" " " " Stop Pin....	01
27631	1142	" " Hollow Stud with 27600... ..	15
27600	1150	" " " " Position Stud.....	—
356C	1157	" " " " Set Screw....	06
27632	—	" " " " Wick.....	01
27633	—	" " " " Wire with 27632.....	05

No.	Plate	Name	Each
955o	1157	Driving Pulley Screw Centre Bearing	08
7958	1150	“ “ “ “ Dowel	
		Pin	01
27601	1164	Frame	60
27668	1164	Idler Pulley	25
27603	1164	“ “ Bracket and Oil Cup	30
134E	1157	“ “ “ “ “ Screw (upper)	06
927o	1158	Idler Pulley Bracket and Oil Cup Screw (lower)	10
1513c	1159	Idler Pulley Bracket and Oil Cup Screw (lower) Nut	05
27669	1142	Idler Pulley Hollow Stud	15
615c	1158	“ “ “ “ Cap Screw	25
356c	1157	“ “ “ “ Set “	06
27632	—	“ “ “ “ Wick	01
27678	—	“ “ “ “ “ Wire with 27632	05
614c	1159	Idler Pulley Cap Screw	25
27605	1164	Lever	35
27606	1160	“ Centre Plug (wood)	01
427E	1158	“ “ “ Adjusting Screw	08
1508c	1159	“ “ “ “ “ Nut	06
307c	1158	“ Screw Centre	06
1513c	1159	“ “ “ Nut	05
27607	1140	“ Spring	10
27070	1165	Shaft Driving Pulley, 10-in. diam., grooved, 1 1/8-in. bore, sectional, with two 597o	45
597o	1157	Shaft Driving Pulley Clamping Screw	08
27636	1165	Treadle	30
9082	1160	“ Bearing Cotter Pin	01
27637	1164	“ Pitman Rod (lower)	05
27638	1164	“ “ “ “ Spring	03
27639	1164	“ “ “ (upper)	05
9079	1164	“ “ “ Clamp with 354c	12
354c	1157	“ “ “ “ “ Screw	06
27640	1164	“ “ complete, Nos. 2762, 9079 and 27637 to 27639	85
2762	1164	Treadle Stop Collar with 362	10
362	1157	“ “ “ Set Screw	05
2878	1165	“ Stand	15
27642	—	“ 27636 with 2878, 9082 and four wood screws 1-in. No. 16	45
27643	—	Treadle complete, Nos. 27610 and 27643	80
27608	—	Transmitter complete for 27609 includes Nos. 134E, 354c, 427E, 614c, 615c, 1508c, 2018, 27594 to 27597, 27601, 27603, 27605 to 27607, 27631, 27633, 27668, 27669, 27678, two each 356c, 927o, four 307c, six 1513c and three wood screws 1 1/2-in. No. 16	5 00
27609	—	Transverse Under Driver, Lever Pressure, Two Speed, complete, Nos. 27070, 27608 and 27643	6 00

Numerical List of Parts.

No.	Plate	Name	Each
32D	1157	Bobbin Winder Frame Hinge Screw	15
35D	1157	“ “ Stop Latch Hinge Screw	07
58E	1157	Feed Regulator Hinge Screw	15
76D	1157	Pitman Joint “ “ for 20560	05
102D	987	Throat Plate Cloth Guide Screw for 26054	04
131E	1157	Shuttle Race Screw	04
134E	1157	Idler Pulley Bracket and Oil Cup Screw (upper) for 27608	06
134D	1157	Tension Plate Screw	06
138B	1157	Spool Rest Set Screw for 27556	05
138B	1157	Thread Guard Rod Set Screw for 27557	05
144D	1157	Arm Shaft Screw	12
157E	1157	Feed Raising Fork Screw	05
159	1157	Arm Spool Bracket Screw	03
175E	1157	Feed Forked Connection Cap Screw	02
190D	1157	Face Plate Screw	08
190D	1157	Shuttle (outside) Bobbin Case Position Plate Screw	03
209	1157	Needle Set Screw	02
211	987	Hemmer Bracket Clamping Screw	02
219	1157	Arm Side Cap Screw	02
219	1157	Cylinder Feed Cover Screw	02
229D	1149	Oscillating Shaft Crank Slide Block Cap Screw	02
233D	987	Throat Plate Spring Guide Screw for 26339	02
286D	1158	Arm Side Cover Thumb Screw	08
286D	1158	Face Plate Thumb Screw	08
295c	1158	Feed Rock Shaft Screw Centre	15
307c	1158	Brake Bracket Screw Centre for 27608	06
307c	1158	Lever Screw Centre for 27608	06
327E	1158	Brake “ for 27594	05
330D	1158	Presser Foot Clamping Screw	03
330B	1158	Thread Guard Hub Set “ for 27561	03
337D	1158	Stay Guide Screw (A. & A.)	02
354c	1157	Dress Guard Screw for 27608	06
354c	1157	Treadle Pitman Rod Clamp Screw for 9079	06
356c	1157	Driving Pulley Hollow Stud Set Screw for 27608	06
356c	1157	Idler “ “ “ “ “ “ “	06
362	1157	Treadle Stop Collar Set Screw for 2762	05
375c	1158	Feed Connecting Link Hinge Screw	12
405E	1158	Lap Seam Feller Folder Slide Spring Screw	02
418D	1158	Bobbin Winder Tension Screw Stud	08
427E	1158	Lever Centre Plug Adjusting Screw for 27608	08
430c	1144	Thread Take-up Lever Link Hinge Pin Set Ser.	04
446c	1158	Feed Eccentric Set Screw	03
448c	1158	Arm Shaft Flanged Bushing (back) Set Screw	03

No. Plate	Name	Each
448c 1158	Balance Wheel Set Screw	03
448c 1158	Lifting Lever Pin Set Screw for 16510.....	03
448c 1158	Oscillating Rock Shaft Hinge Pin Set Screw...	03
448c 1158	Thread Take-up Spring Regulator " " ...	03
449c 1158	" Guard Set Screw for 27561.....	02
453c 1158	Needle Bar Connecting Stud Set Screw	02
453c 1158	Presser " Guide Bracket " "	02
460c 1158	Feed Rock Shaft Arm Set Screw	02
460c 1158	Oscillating " Crank " "	02
591 1148	Shuttle Tension Regulating Screw.....	02
592E 1148	" Bobbin Case Latch and Position Finger Stop Screw	02
597c 1157	Shaft Driving Pulley Clamping Screw for 27070	08
614c 1159	Idle Pulley Cap Screw for 27608	25
615c 1158	" " Hollow Stud Cap Screw for 27608.	25
662D 1158	Shuttle Race Loop Separator Screw.....	02
688E 1158	Pressure Regulating Thumb Screw	25
689c 1157	Presser Bar Lifter Hinge Screw.....	08
690E 1144	Thread Take-up Crank Wedge Screw.....	05
691 1158	Throat Plate Screw	04
696E 1158	Needle Bar Plug Screw	03
704c 1157	Feed Dog Screw	04
748E 1157	Arm Screw (back).....	08
766D 1157	Lifting Lever Link Hinge Screw for 20560.....	05
775E 1144	Thread Take-up Lever Cap Screw	06
794c 1144	Needle Bar Connecting Link Adjusting Screw.	03
802D 1157	Lifting Lever Hinge Screw for 20560.....	12
818D 1158	Feed Regulator Thumb Screw.....	12
855c 1158	Needle Bar Crank Timing Screw.....	10
858c 1158	" " " Set "	03
860E 1158	Presser Bar Plug Screw.....	03
868E 1157	Arm Screw (front).....	10
878D 1158	Oscillating Rock Shaft Hinge Pin Oil Hole Stop Screw.....	06
896E 1157	Crank Connecting Rod Cap Screw.....	04
905D 1157	Thread Guide Screw.....	04
908c 1158	Crank Connecting Rod Hinge Screw.....	12
916 1146	Tension Screw Stud.....	08
922D 1158	Lap Seam Feller Holder Thumb Screw.....	10
923E 1158	Feed Bar Hinge Screw.....	10
927c 1158	Brake Bracket Adjusting Screw for 27608.....	10
927c 1158	Idle Pulley Bracket and Oil Cup Screw (lower) for 27608	10
935E 1157	Shuttle (inside) Bobbin Case Position Plate Scr.	04
936D 1158	Needle Bar Screw Bushing.....	06
938E 1159	Bolt with 1524E, to secure machine to table....	03
955c 1157	Driving Pulley Screw Centre Bearing for 27597.....	08
969c 1149	Oscillating Shaft Crank Slide Block Screw Stud	15

No. Plate	Name	Each
1508c 1159	Lever Centre Plug Adjusting Screw Nut for 427.....	06
1513c 1159	Feed Rock Shaft Screw Centre Nut for 295	05
1513c 1159	Brake Bracket Adjusting Screw Nut for 927	05
1513c 1159	" " Screw Centre Nut for 307c..	05
1513c 1159	Idle Pulley Bracket and Oil Cup Screw (lower) Nut for 927.....	05
1513c 1159	Lever Screw Centre Nut for 307.....	05
1518E 1159	Feed Connecting Link Hinge Screw Nut...	04
1518E 1159	Oscillating Shaft Crank Slide Block Screw Stud Nut.....	04
1520c 1159	Presser Bar Lifter Hinge Screw Nut.....	03
1521E 1159	Pitman Lock Nut for 20560.....	03
1524E 1159	Bolt Nut for 938E.....	01
1530E 987	Throat Plate Cloth Guide Screw Nut for 102	03
1547D 1146	Tension Screw Stud Nut	03
1560c 1146	" Regulating Thumb Nut.....	04
1562D 1159	Bobbin Winder Tension Regulating Thumb Nut	04
1619E 1159	Crank Connecting Rod Hinge Screw Nut...	05
1904 1144	Needle Bar Connecting Stud Roller (roller only)	12
2018 1150	Dress Guard Screw Washer for 27608.....	01
2049 1150	Feed Rock Shaft Arm Pin.....	01
2049 1150	Oscillating " Crank "	01
2049 1150	Shuttle Driver and Feed Lifting Eccentric Pin	01
2062 1145	Presser Bar Lifter	25
2106 1150	Bobbin Winder Tension Thread Guide.....	01
2269 1146	Tension Releasing Lever (intermediate) Hinge Pin.....	01
2273 1150	Needle Clamp Pin.....	01
2415 1140	Arm Spool Bracket	25
2455 1150	Bobbin Winder Tension Disc.....	02
2521 1148	Shuttle Bobbin Case Latch and Position Finger Spring.....	02
2653 987	Throat Plate Cloth Guide Stop Pin for 20632 and 20633.....	01
2762 1164	Treadle Stop Collar with 362 for 27640.....	10
2878 1165	" Stand for 27642.....	15
2921 1146	Tension Disc.....	05
2923 1146	" Spring.....	03
3033 1145	Feed Connecting Link.....	20
3074 1142	" Eccentric with 446c.....	30
3094 1144	Thread Take-up Crank Wedge	10
4347 1161	Wrench for 1513 and 1518. (A. & A.).....	15
4784 1150	Oscillating Rock Shaft Oil Pad	01
6055 1145	Bolt Nut Washer for 1524.....	01
7336 1149	Thread Take-up Spring Regulator.....	25
7585 1140	Treadle Shaft for 14211	05

No.	Plate	Name	Each
7958	1150	Driving Pulley Friction Ring Stop Pin for 27597.....	01
7958	1150	Driving Pulley Screw Centre Bearing Dowel Pin for 27597.....	01
8582	1150	Arm Dowel Pin.....	02
8908	1161	Wrench for 1520 (A. and A.).....	10
9079	1164	Treadle Pitman Rod Clamp with 354c for 27640.....	12
9082	1160	Treadle Bearing Cotter Pin for 27642.....	01
10141	1150	Bobbin Winder Tension Spring.....	01
10165	1150	Lap Seam Feller Folder Slide Stop Pin for 20636.....	01
*11104	1142	Arm Shaft Bushing (front).....	30
11119	1150	" Oil Tube for oiling 19156.....	10
11167	1142	Presser Bar Spring (spiral) light .051 wire..	05
11170	1150	" " " Washer.....	01
11204	1144	Thread Take-up Lever Link Hinge Pin.....	15
11241	1142	Arm Spool Bracket Washer (cloth) per 100..	25
11241	1142	Bobbin Winder Spool Washer " " " " ..	25
12139	1142	Presser Bar Spring (spiral) medium .055 wire	05
12149	1150	Tension Thread Guard.....	05
12152	1150	Thread Guard Rivet for 19154 and 19155, .. per 100 ..	10
12166	1144	Thread Take-up Lever Hinge Pin.....	05
12193	1143	Arm Side Cover.....	10
12240	1145	Lifting Lever Pin for 20560.....	05
12241	1145	" " Link " " ..	10
12326	1145	Presser Bar Guide Bracket with 453c.....	25
12327	1145	" " Lifting and Releasing Lever Bracket.....	50
12329	1145	Tension Releasing Lever Spring.....	02
12357	1142	Arm Shaft Flanged Bushing (back).....	25
12358	—	Balance Wheel, light rim, 2½-in. pulley, with two 448c.....	75
12359	1140	Balance Wheel, light rim, 3-in. pulley, with two 448c.....	75
12382	1144	Needle Bar Connecting Link with 794c.....	50
12383	—	" " " Stud.....	40
12384	1144	" " " " 12383 with 453c and 1904.....	50
12385	1142	Needle Bar Crank with 855c and 858c.....	80
12388	1142	Oscillating Rock Shaft Hinge Pin.....	50
12390	1160	" Shaft Crank 19496 with 460c, 1518E and 1902 (obsolete).....	65
12397	1145	Tension Releasing Lever.....	20
12398	1145	" " " Hinge Pin.....	01
12403	1150	Arm Spool Bracket Spool Pin and Thread Eyelet.....	05
12404	1144	Thread Take-up Crank.....	80
12409	1144	" " " Lever Link.....	25

No.	Plate	Name	Each
12416	1145	Pitman Joint for 20560.....	08
12423	—	Balance Wheel, light rim, 2-in. pulley, with two 448c.....	75
12424	1149	Oscillating Shaft Crank Slide Block Cap Screw Washer.....	02
12443	1160	Oscillating Rock Shaft Oil Pad for 16508 (obsolete).....	01
12453	1150	Arm Oil Tube for intermediate bearing.....	06
12454	1150	" " " " oiling 12409.....	06
12459	1150	Oscillating Rock Shaft Hinge Pin Oil Hole Stop Screw Washer (leather).....per 100..	50
12480	1143	Arm Side Cap.....	05
12495	1150	Needle Bar Plug Screw Rivet.....per 100..	05
12496	1141	Crank Connecting Rod.....	1 35
13351	—	Chain, 46-in. to 55-in. long, for 20560.....	30
*14013	—	Crank Connecting Rod Cap.....	—
14209	1164	Treadle for 14211.....	30
14210	1164	" Stand for 14211.....	25
14211	1164	" complete, Nos. 7585, 14209, 14210 and four wood screws, 1¼ in. No. 12, for 20560.....	60
15063	1140	Arm Spool Bracket 2415 with two 12403 ..	35
15072	1150	Bobbin Position Pin for 27538.....per 100..	10
16015	1150	Oscillating Shaft (back bearing) Oil Tube	06
16508	1160	Oscillating Rock Shaft Oil Pad Holder with 12443 for 19166 (obsolete).....	05
16510	1140	Lifting Lever with 448c for 20560.....	20
16514	1141	Arm Shaft.....	1 90
18014	1142	Needle Bar (hollow).....	60
19109	—	Face Plate.....	50
19110	1143	" " 19109 with 19154, 19155 and two 12152.....	1 00
19131	1148	Shuttle Bobbin.....	05
19137	1148	" (outside) Body.....	75
19149	1148	" (inside) Tension Spring.....	10
19150	1148	" (outside) " " ..	10
19151	1160	Tension Plate for upper tension with 19152 (obsolete).....	40
19152	1160	Tension Plate Stud for 19151 (obsolete).....	10
19153	1160	" (upper) complete, Nos. 19151, two each 637, 1547n, 1560c, 8228 and four 2102 (obsolete).....	95
19154	1150	Thread Guard (lower) for 19110.....	25
19155	1150	" " (upper) " " ..	20
19156	1144	" Take-up Lever.....	30
19157	1144	" " " " 19156 with 12166 and 12409.....	65
19158	1150	Thread Take-up Spring (music wire).....	03
19159	1149	" Guide Body.....	30
19160	1149	" " Roller.....	10

Numerical List of Parts.

No.	Plate	Name	Each
19161	1149	Thread Guide Cap.....	20
19162	—	“ “ complete (roller), Nos. 905D and 19159 to 19161.....	50
19166	1142	Oscillating Rock Shaft for 1902 (obsolete) ..	1 00
19167	—	“ “ “ 19166 with 12388 (obsolete).....	1 50
19191	1146	Tension Plate, for upper tension, with 19231.	50
19192	1146	“ Releaser.....	15
19193	1146	“ Releasing Lever (intermediate)	10
19194	1146	“ “ “ “ Spring	03
19195	1146	“ complete (upper), with Tension Re- lease, Nos. 2269, 19191, 19193, 19194, two each 916, 1547D, 1560c, 2923, 19192 and four 2921.....	1 50
19221	1161	Wrench for 936 and 1619. (A. & A.)	15
19231	1146	Tension Releasing Lever (intermediate) Hinge Block.....	—
19294	1153	Lap Seam Feller Folder Slide Spring.....	05
19386	1142	Oscillating Rock Shaft.....	1 00
19387	—	“ “ “ 19386 with 4784 and 12388.....	1 50
19388	1149	Oscillating Shaft Crank 19496 with 460c, 1518E and 19390.....	80
19389	1149	Oscillating Shaft Crank Slide Block.....	35
19390	1149	“ “ “ “ “ 19389 with 229D, 969c and 12424.....	50
19496	—	Oscillating Shaft Crank.....	25
20023	1142	Presser Bar Spring (spiral), heavy .063 wire	05
*20501	—	Arm.....	4 50
20502	1150	“ Oil Tube for oiling 12496.....	10
*20503	—	Cylinder, 2 $\frac{7}{8}$ -in. diam.....	15 00
20504	1143	“ Cover (obsolete) use 20562 or 20641	2 50
20505	1142	“ Feed Cover.....	15
20506	1141	Feed Bar.....	75
20507	1151	“ Dog for $\frac{1}{4}$ -in. to $\frac{5}{16}$ -in. gauge for Lap Seam Feller.....	1 50
20508	1152	Feed Dog for $\frac{3}{8}$ -in. to $\frac{5}{8}$ -in. gauge for Lap Seam Feller.....	1 50
20509	1153	Feed Dog for $\frac{1}{4}$ -in. and $\frac{3}{8}$ -in. gauge for Lap Seam Feller.....	1 50
20510	1152	Feed Dog for $\frac{3}{8}$ -in. to $\frac{5}{8}$ -in. gauge (spiked teeth) for heavy work on duck, overalls, etc.	1 50
20511	1153	Feed Dog for $\frac{1}{4}$ -in. and $\frac{3}{8}$ -in. gauge (spiked teeth) for heavy work on duck, overalls, etc.	1 50
20512	1151	Feed Dog for $\frac{1}{4}$ -in. to $\frac{5}{16}$ -in. gauge (spiked teeth) for heavy work on duck, overalls, etc.	1 50
20513	1154	Feed Dog for staying.....	1 50
20518	1141	Feed Forked Connection.....	1 00
*20519	—	“ “ “ Cap.....	—
20520	1145	“ Raising Fork.....	50
20521	1142	“ Regulator.....	30

Numerical List of Parts.

No.	Plate	Name	Each
20522	1141	Feed Rock Shaft.....	75
20523	1141	“ “ “ Arm with 460c.....	50
20524	1150	Needle Clamp with two 209.....	1 25
20525	1141	Oscillating Shaft.....	35
20526	1142	Presser Bar for 20527 (obsolete).....	80
20527	1156	“ Foot (hinged) (“).....	2 25
20528	—	“ “ Shank (“).....	1 00
20529	—	“ “ Plate (“).....	1 25
20530	1150	“ “ “ Hinge Pin.....	01
20531	1148	Shuttle (inside) 1 $\frac{1}{8}$ -in. diam., No. 20540 with 19131 and 20533.....	1 50
20532	1148	Shuttle (outside) 1 $\frac{1}{8}$ -in. diam., No. 19137 with 19131 and 20534.....	1 50
20533	1148	Shuttle (inside) Bobbin Case complete, Nos. 591, 592E, 2521, 19149 and 20536.....	75
20534	1148	Shuttle (outside) Bobbin Case complete, Nos. 591, 592E, 2521, 19150 and 20537.....	75
20535	1149	Shuttle Bobbin Case Extractor (A. & A.)...	10
20536	1148	“ (inside) Bobbin Case Latch and Position Finger.....	35
20537	1148	Shuttle (outside) Bobbin Case Latch and Position Finger.....	35
20538	1147	Shuttle (inside) Bobbin Case Position Plate.	1 25
20539	1117	“ (outside) “ “ “ “ “	1 25
20540	1148	“ (inside) Body.....	75
20542	1160	“ Driver and Feed Lifting Eccentric (obsolete) use 20639.....	3 00
20543	1147	Shuttle Race complete, Nos. 935E, 20538, 20539, 20544, 20545 and two each 190D and 662D.....	6 00
20544	—	Shuttle Race Body.....	2 00
20545	1147	“ “ Loop Separator.....	1 00
20547	1149	“ Tension Spring for 20534 (obsolete) use 19150.....	10
20548	1151	Throat Plate for 20507, 20512 and 26277....	2 00
20549	1152	“ “ “ 20508, 20510 “ “	2 00
20550	1153	“ “ “ 20509, 20511 “ “	2 00
20551	1154	“ “ “ 20513.....	1 75
20552	—	“ “ (straight) for 20507 and 20512..	1 75
20553	—	“ “ “ “ 20508 “ 20510..	1 75
20554	—	“ “ “ “ 20509 “ 20511..	1 75
20558	1140	Pitman, 13-in., long, for 20560.....	10
20559	1140	Lifting Lever Spring “ “	05
20560	—	Foot Lifter complete, Nos. 76D, 766D, 802D, 1521E, 12240, 12241, 12416, 13351, 14211, 16510, 20558 and 20559.....	1 70
20561	1164	Drip Pan.....	05
20562	1143	Cylinder Cover for 26277.....	2 50
20563	1142	Presser Bar (hollow).....	80
20630	—	Feed Dog, for gauges $\frac{1}{8}$ -in. and $\frac{3}{8}$ -in., for shirt closing.....	1 50

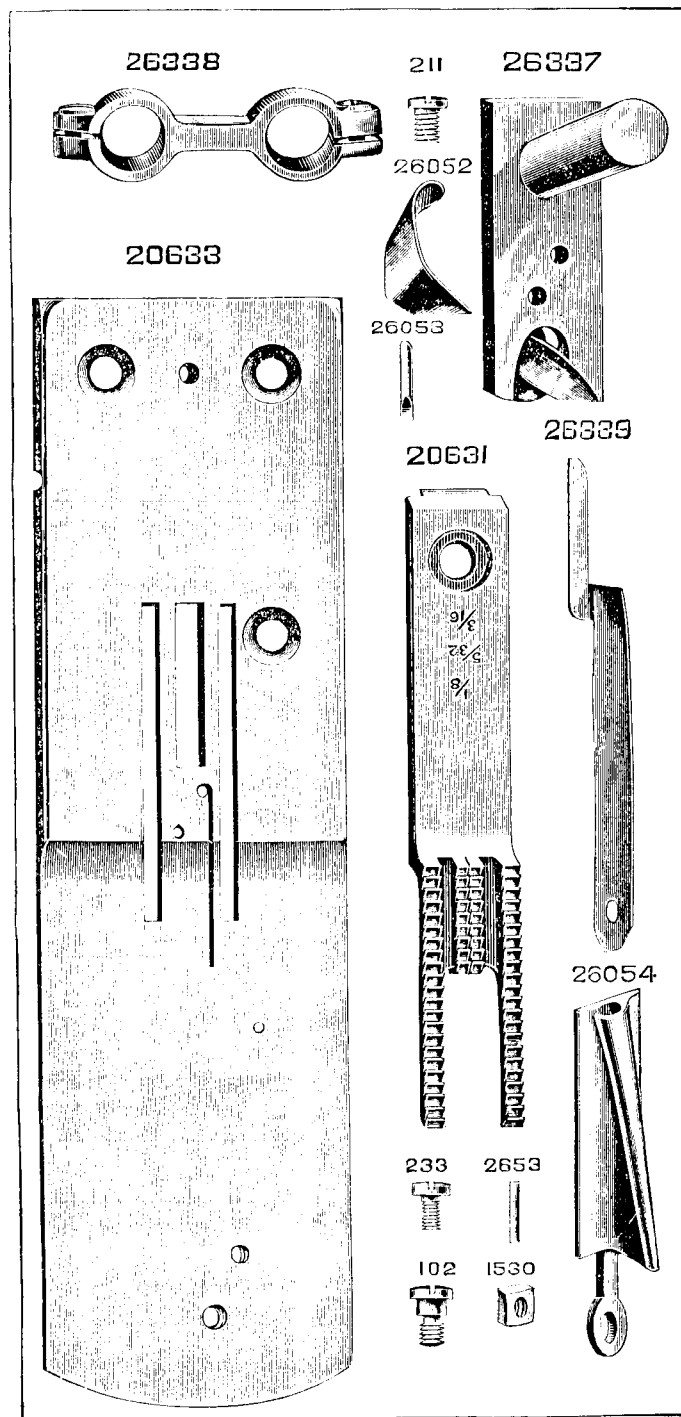
No.	Plate	Name	Each
20631	987	Feed Dog, for gauges $\frac{1}{8}$ -in., $\frac{3}{16}$ -in. and $\frac{1}{4}$ -in., for shirt closing.....	1 50
20632	—	Throat Plate with 2653 for 20630.....	2 00
20633	987	“ “ “ “ “ 20631.....	2 00
20636	—	Lap Seam Feller Folder Slide with 10165.....	15
20637	—	Presser Foot Plate for 20638.....	1 25
20638	1152	“ “ (hinged) Nos. 330b, 20530, 20637 and 21016 for lap seam feller.....	2 75
20639	1149	Shuttle Driver and Feed Lifting Eccentric.....	3 00
20641	1143	Cylinder Cover for 20632 and 20633.....	2 50
20642	—	Presser Foot Plate for 20643.....	1 00
20643	1154	“ “ (hinged) Nos. 330b, 20530, 20642 and 21016 for inside stays for 20551.....	2 50
20645	—	Presser Foot Plate for 20646.....	1 25
20646	1156	“ “ (hinged) Nos. 330b, 20530, 20645 and 21016 for staying seams.....	2 75
20647	—	Presser Foot Plate for 20648.....	3 00
20648	1156	“ “ (hinged) Nos. 330b, 20530, 20647 and 21016 for strip folding with guide for opening seams.....	4 50
21014	1151	Presser Foot (hinged) Nos. 330b, 20530, 21015 and 21016 for general work.....	2 25
21015	—	Presser Foot Plate for 21014.....	75
21016	—	“ “ Shank.....	1 50
21017	1156	“ “ (solid) with 330b.....	1 50
25955	1161	Oiler with 25956 (A. & A.).....	15
25956	1161	“ Spout, 8 $\frac{1}{2}$ -in. long (A. & A.).....	07
26026	1161	Screw Driver (machine) (A. & A.).....	10
26027	1161	“ “ (shuttle tension) (A. & A.).....	05
26052	987	Hemmer Folder for 26337.....	25
26053	987	“ Tongue “ “.....	10
26054	987	Throat Plate Cloth Guide for 20632 and 20633.....	1 50
26277	1153	Lap Seam Feller Holder (adjustable).....	75
26298	—	Tweezers (A. & A.).....	10
26337	987	Hemmer (foot) for felling, for shirt closing.....	3 00
26338	987	“ Bracket with two 211, for shirt closing.....	1 25
26339	987	Throat Plate Spring Guide for 20632 and 20633.....	15
*26352	—	Folder for 26353.....	3 25
26353	1155	Lap Seam Feller (right hand) complete, Nos. 20636 and 26352 for gauges $\frac{3}{16}$ -in. to $\frac{5}{16}$ -in. for light, medium, heavy, x heavy, xx heavy and xxx heavy material.....	3 40
26384	1154	Stay Guide (lower) (A. & A.).....	20
26385	1154	“ “ (upper) (“).....	20
26386	—	“ “ complete, Nos. 26384 and 26385 (A. & A.).....	40
*26389	—	Folder for 26390.....	3 25
26390	1155	Lap Seam Feller (left hand) complete, Nos. 20636 and 26389 for gauges $\frac{3}{16}$ -in. to $\frac{5}{16}$ -in. for light, medium, heavy, x heavy, xx heavy and xxx heavy material.....	3 40

No.	Plate	Name	Each
*26391	—	Folder for 26392.....	3 25
26392	1155	Lap Seam Feller (right hand) complete, to fold top only, Nos. 20636 and 26391.....	3 40
*26393	—	Lap Seam Guide for 26394.....	1 85
26394	1156	“ “ “ 26393 with 20636.....	2 00
27070	1165	Shaft Driving Pulley 10-in. diam., grooved, $1\frac{3}{4}$ -in. bore, sectional, with two 597c for 27609.....	45
27302	1162	Bobbin Winder Frame.....	15
27303	1150	“ “ “ Spring.....	03
27306	1162	“ “ Spool Pin.....	05
27307	1162	“ “ “ Stand.....	10
27308	1162	“ “ “ “ 27307 with 418b, 1562b, 2106, 10141, 11241, 27306, wood screw 1-in. No. 10 and two 2455.....	35
27473	1145	Cone Pulley Centre Bearing for 27595.....	08
27538	1162	Bobbin Winder Spindle with 15072.....	20
27552	1162	“ “ Base.....	15
27553	1162	“ “ Pulley.....	24
27555	1140	Spool Pin for 27556.....	08
27556	—	“ Rest 27583 with 138b and two 27555 for 27562.....	40
27557	1163	Spool Stand with 138b for 27562.....	25
27558	1163	“ Weight 4-in. diam. with 27592 for 27562.....	15
27559	1163	Thread Guard for 27561.....	20
27560	1163	“ “ Rod, 26-in. long for 27562.....	30
27561	—	“ “ 27559 with 330b, 449c and 27563 for 27562.....	50
27562	1163	Thread Unwinder complete, Nos. 27556, 27557, 27560, 27561, two 27558 and three wood screws 1-in. No. 10.....	1 60
27563	1163	Thread Guard Hub for 27561.....	20
27583	1163	Spool Rest for 27556.....	20
27587	1162	Bobbin Winder Stop Latch.....	10
27588	—	Bobbin Winder (swinging, automatic, right hand) complete, 27651 with 27308.....	1 35
27592	1160	Spool Weight Centre Pin for 27558.....	05
27593	1142	Brake (fibre) for 27594.....	05
27594	1164	“ Bracket with 27593 and two 327x for 27608.....	25
27595	1164	Cone Pulley (grooved) $4\frac{1}{2}$ -in. and $5\frac{1}{2}$ -in. diam. with 27473 for 27608.....	50
27596	1164	Dress Guard for 27608.....	15
27597	1164	Driving Pulley, 6 $\frac{1}{2}$ -in. diam. with 955c, 27598 and two 7958 for 27608.....	75
27598	—	Driving Pulley Friction Ring (leather) for 27597.....	05
27600	1150	Driving Pulley Hollow Stud Position Stud for 27631.....	—
27601	1164	Frame for 27608.....	60

Numerical List of Parts.

No.	Plate	Name	Each
27603	1164	Idle Pulley Bracket and Oil Cup for 27608.	30
27605	1164	Lever for 27608.....	35
27606	1160	" Centre Plug (wood) for 27608.....	01
27607	1140	" Spring for 27608.....	10
27608	—	Transmitter complete, for 27609 includes Nos. 134E, 354C, 427E, 614C, 615C, 1508C, 2018, 27594 to 27597, 27601, 27603, 27605 to 27607, 27631, 27633, 27668, 27669, 27678 two each 356C, 927C, four 307C, six 1513C and three wood screws 1½-in. No. 16....	5 00
27609	—	Transverse Under Driver, Lever Pressure, Two Speed, complete, Nos. 27070, 27608 and 27643.....	6 00
27631	1142	Driving Pulley Hollow Stud with 27600, for 27608.....	15
27632	—	Driving Pulley Hollow Stud Wick for 27633	01
27632	—	Idle " " " " " 27678	01
27633	—	Driving " " " " Wire with 27632 for 27631.....	05
27636	1165	Treadle for 27642.....	30
27637	1164	" Pitman Rod (lower) for 27640.....	05
27638	1164	" " " (") Spring for 27640	03
27639	1164	" " " (upper) for 27640.....	05
27640	1164	" " complete, Nos. 2762, 9079 and 27637 to 27639.....	35
27642	—	Treadle 27636 with 2878, 9082 and four wood screws 1-in. No. 16.....	45
27643	—	Treadle complete, Nos. 27640 and 27642....	80
27651	1162	Bobbin Winder, includes 32D, 35D, 27302, 27303, 27538, 27552, 27553, 27587 and two 1-in. No. 7 wood screws.....	1 00
27668	1164	Idle Pulley for 27608.....	25
27669	1142	" " Hollow Stud for 27608.....	15
27678	—	" " " " Wick Wire with 27632 for 27669.....	05

PLATE 987—FULL SIZE



From the library of: Diamond Needle Corp

PLATE 1140—ONE-HALF SIZE

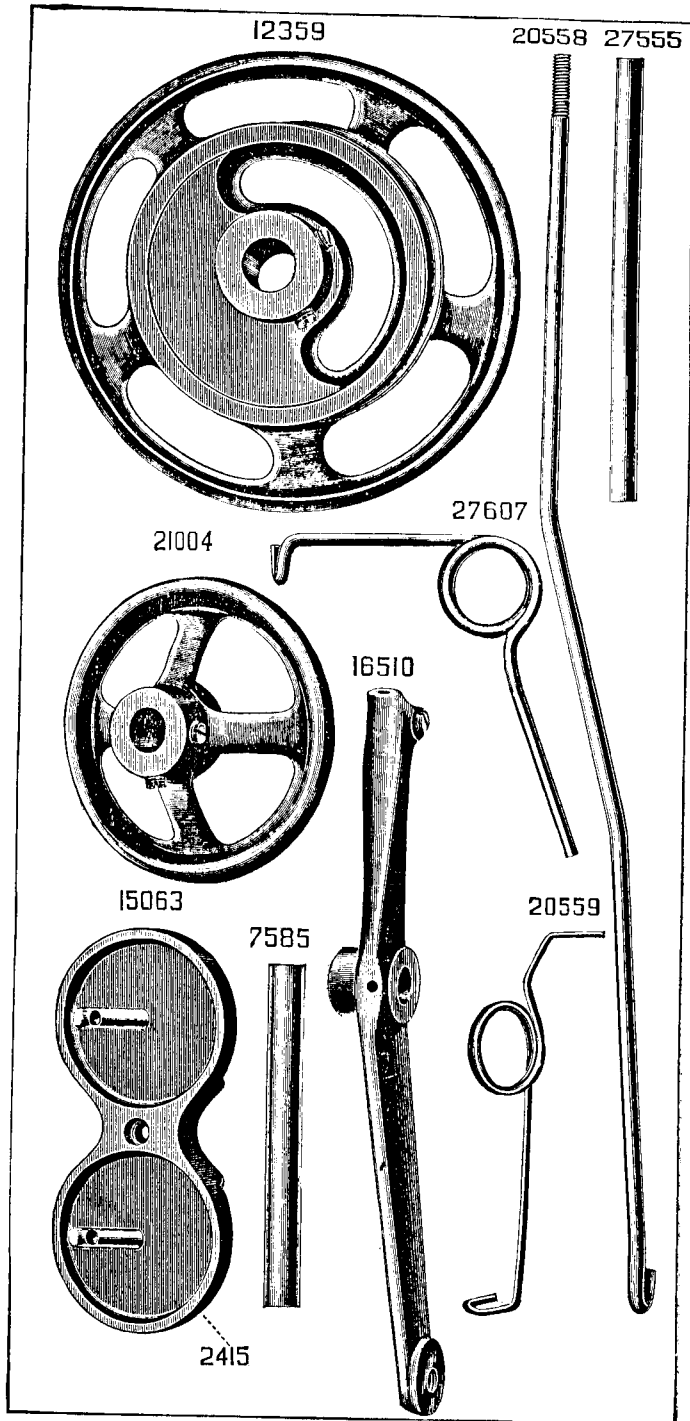


PLATE 1141—ONE-HALF SIZE

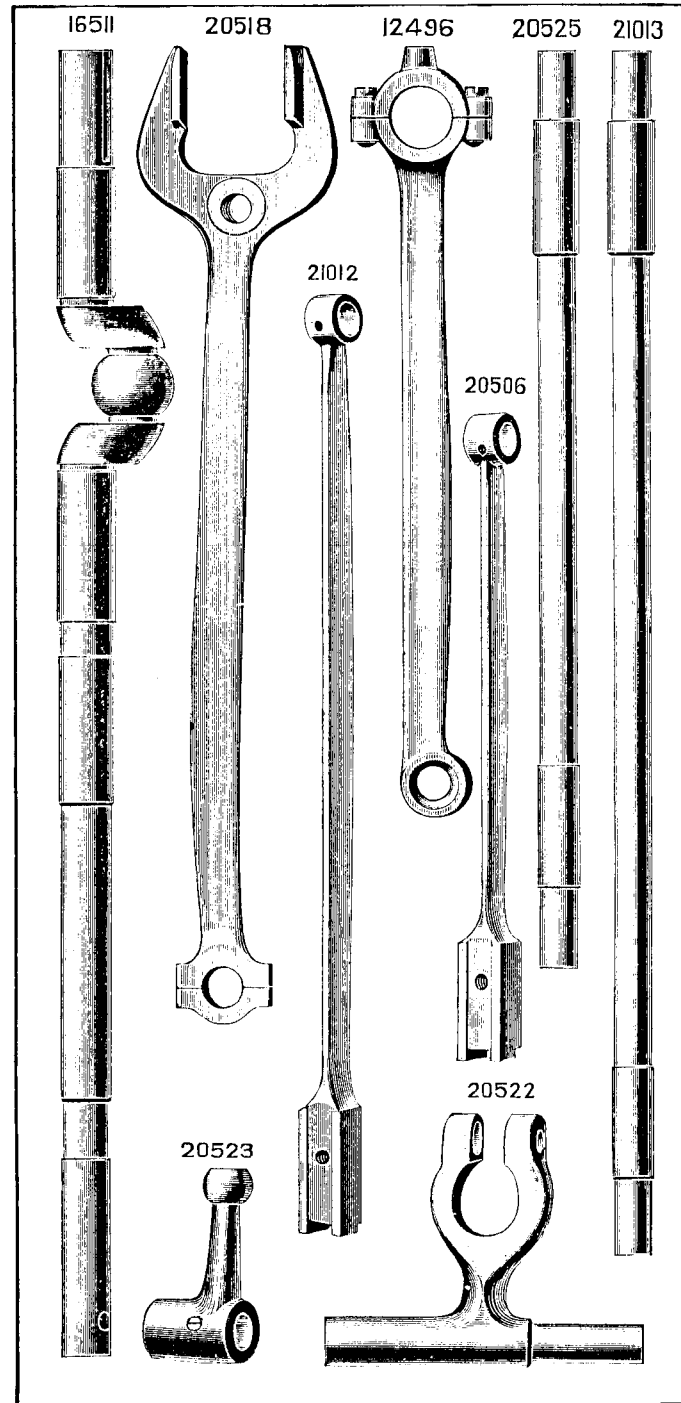


PLATE 1142—ONE-HALF SIZE

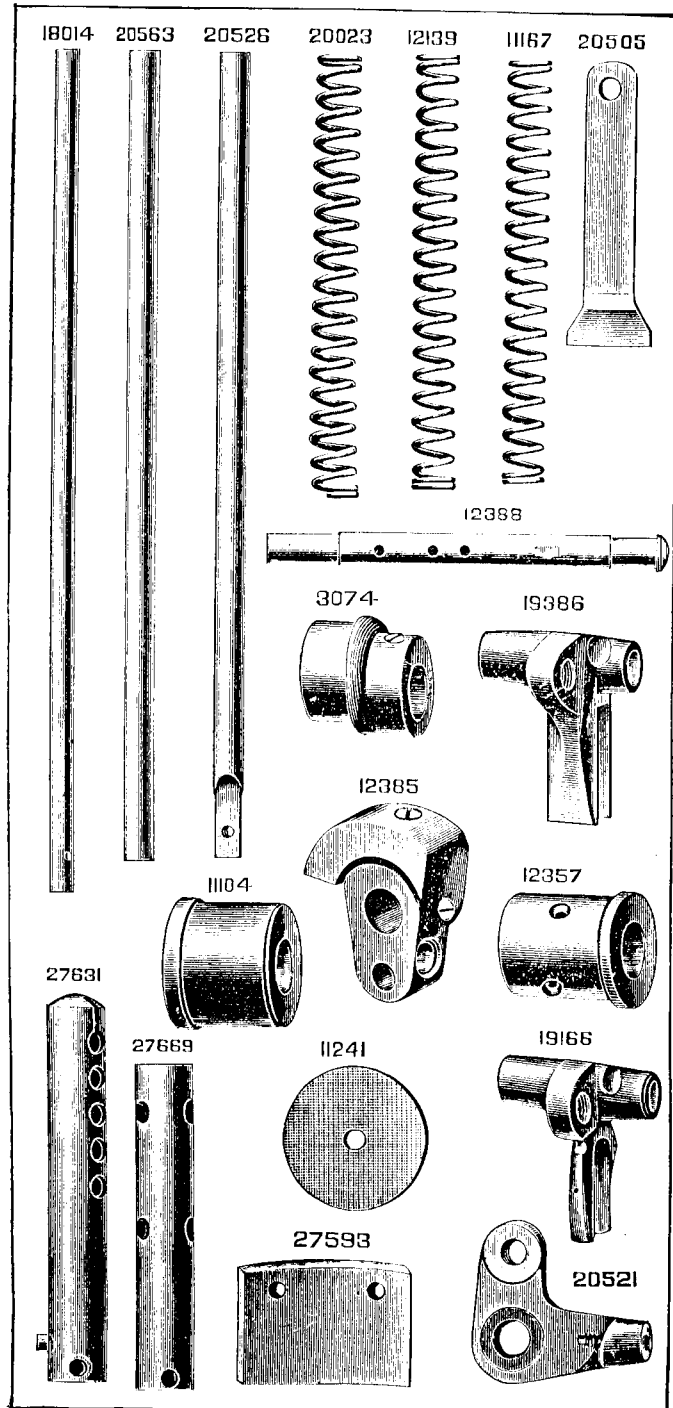
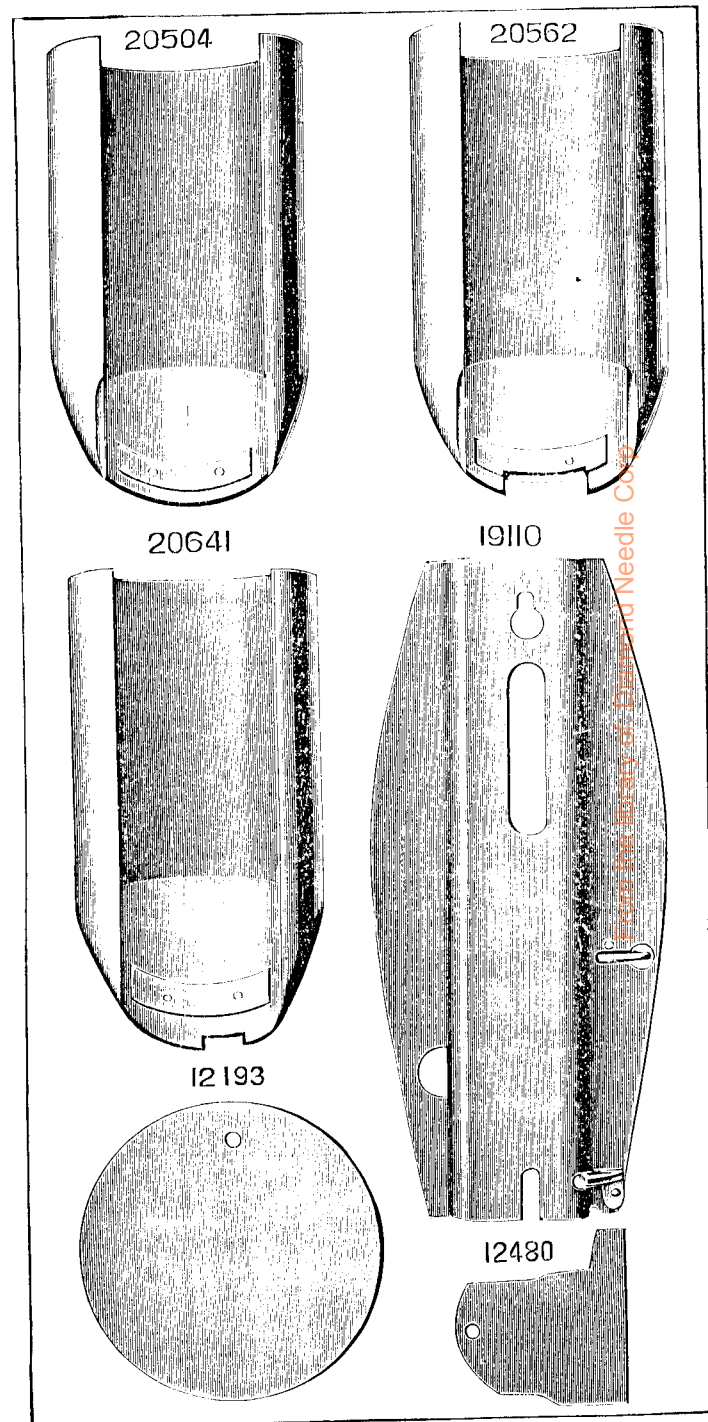


PLATE 1143—ONE-HALF SIZE



From the Library of the Museum of Modern Art

PLATE 1144—FULL SIZE

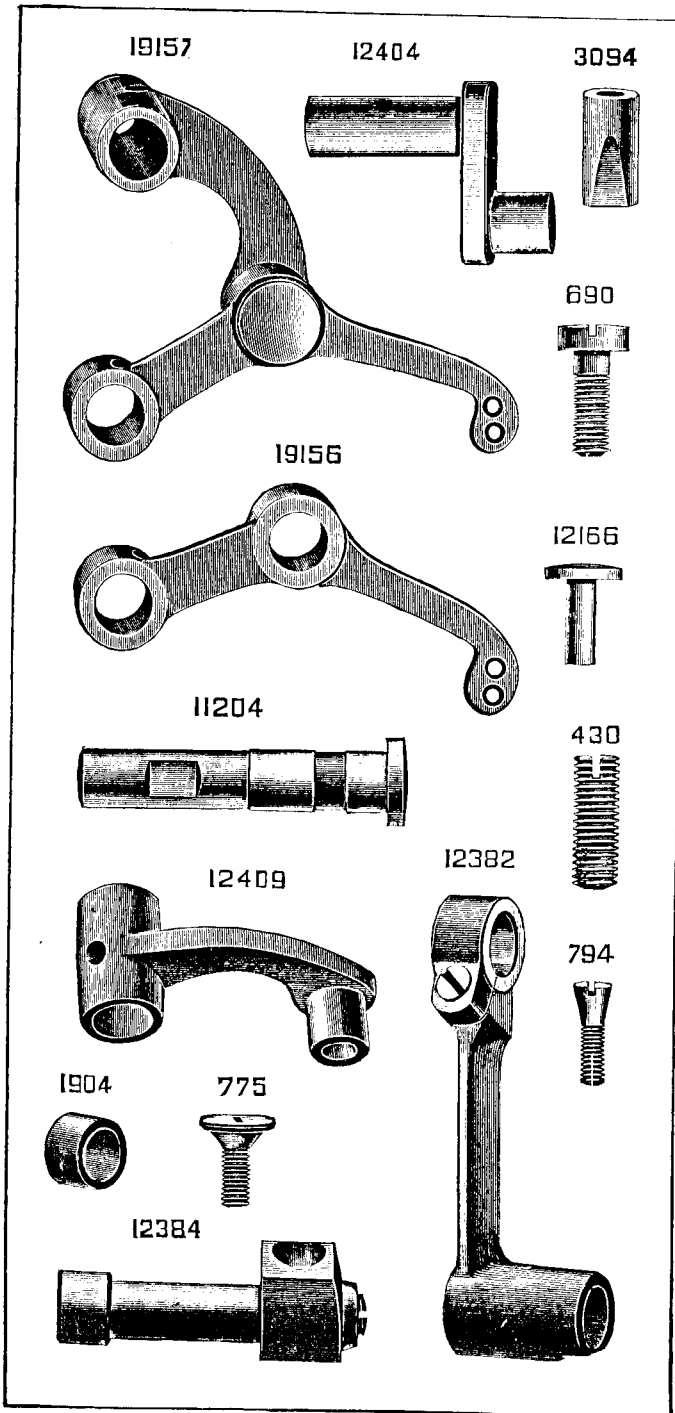
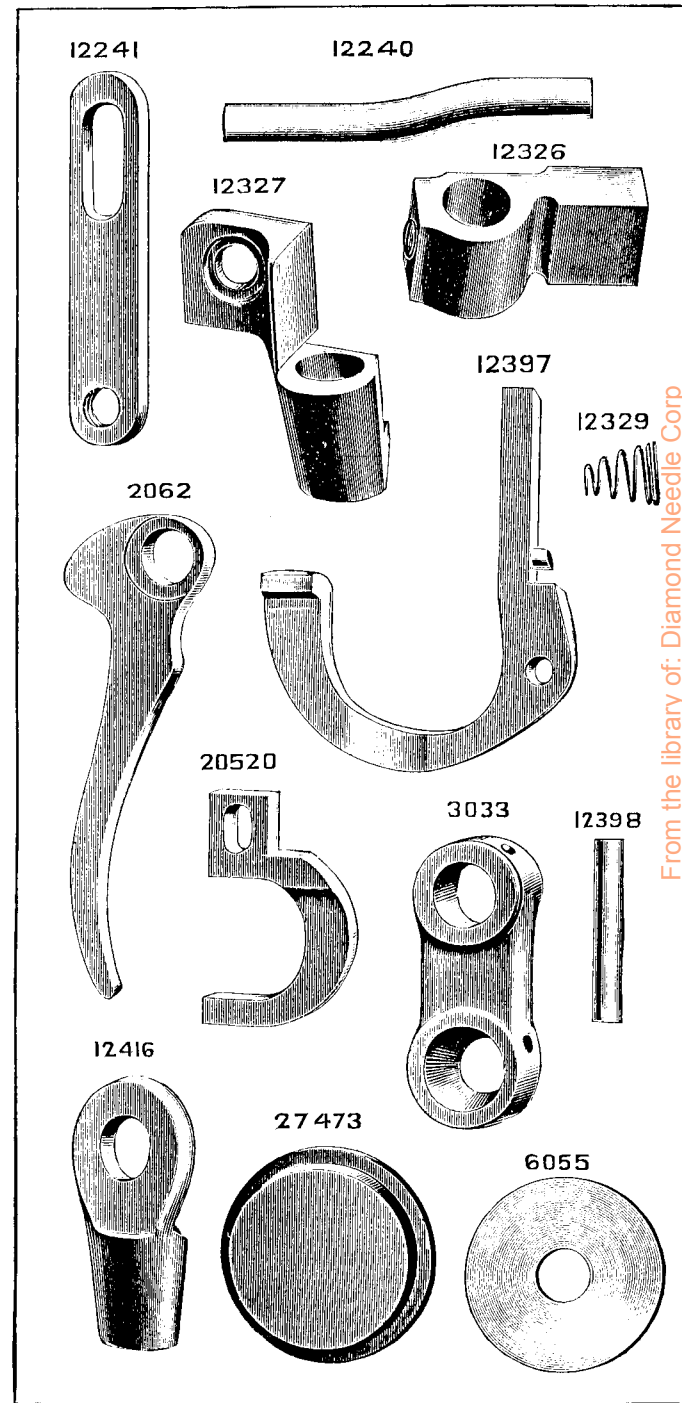


PLATE 1145—FULL SIZE



From the library of: Diamond Needle Corp

PLATE 1146—FULL SIZE

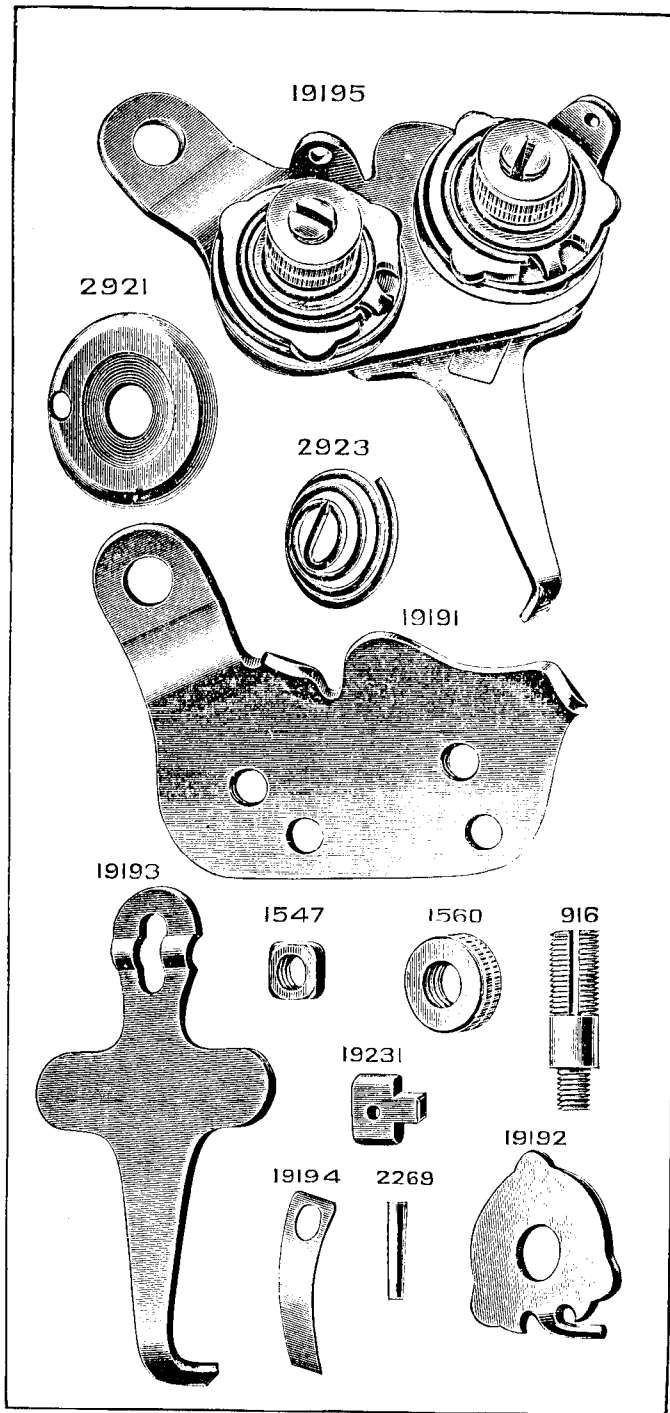
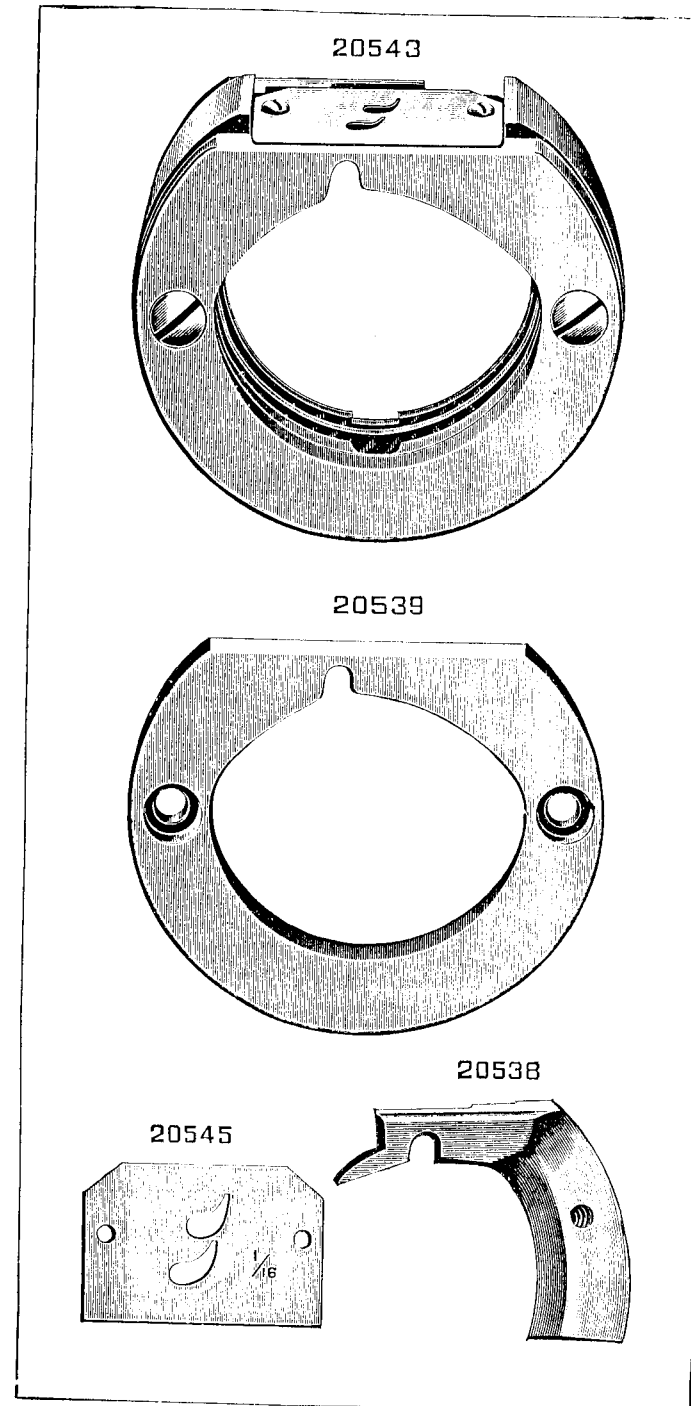


PLATE 1147—FULL SIZE



From the library of: Diamond Needle Corp

PLATE 1148—FULL SIZE

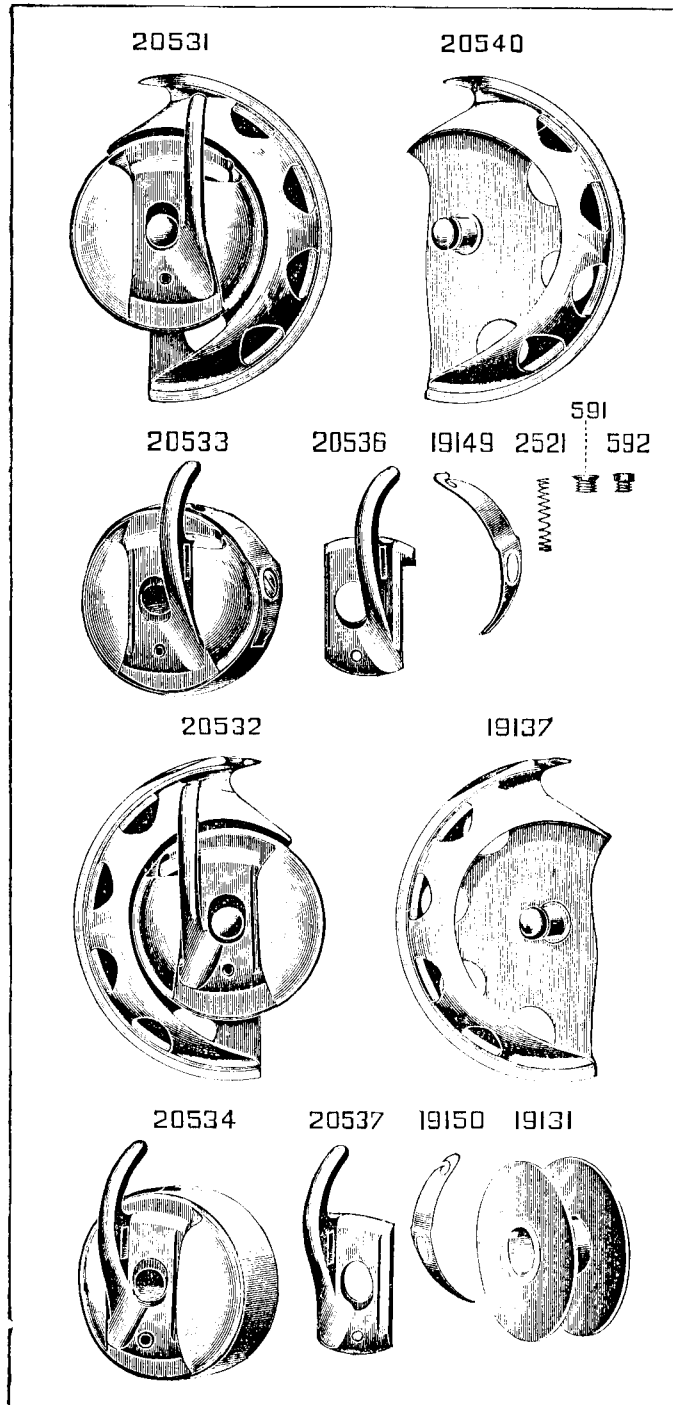


PLATE 1149—FULL SIZE

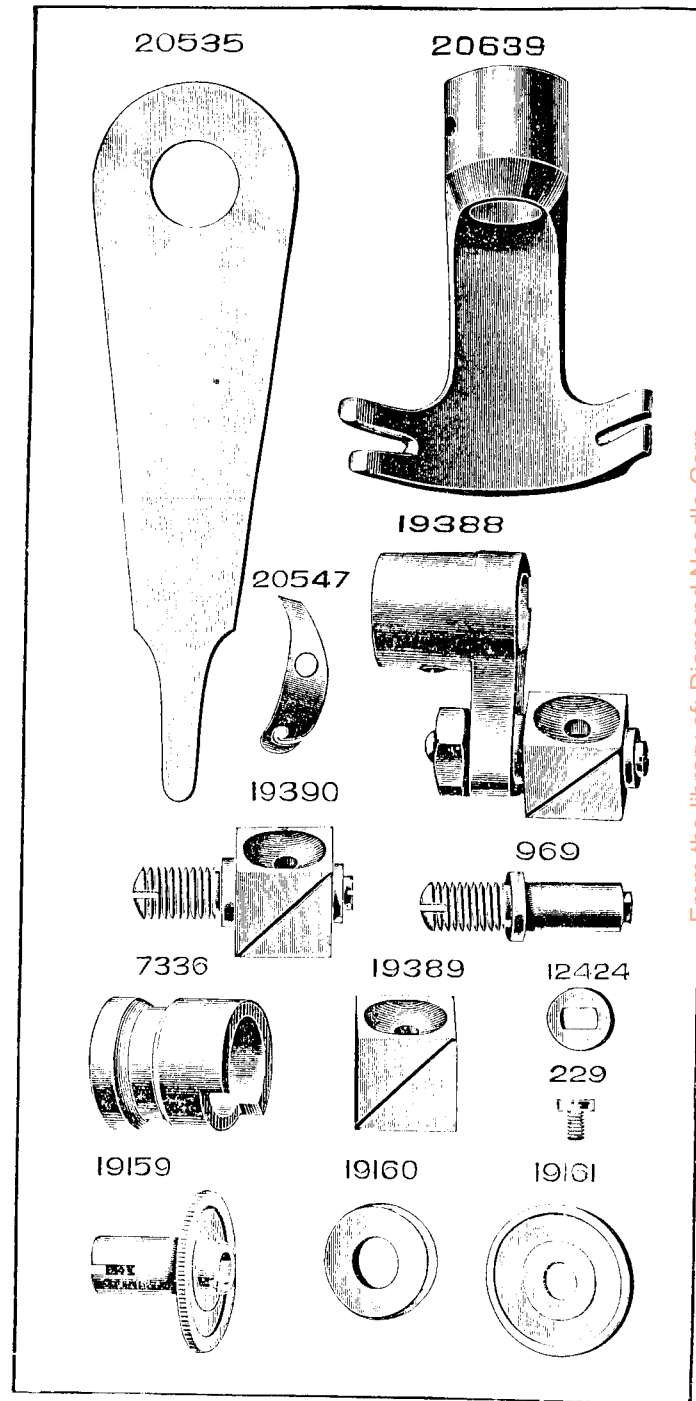


PLATE 1150—FULL SIZE

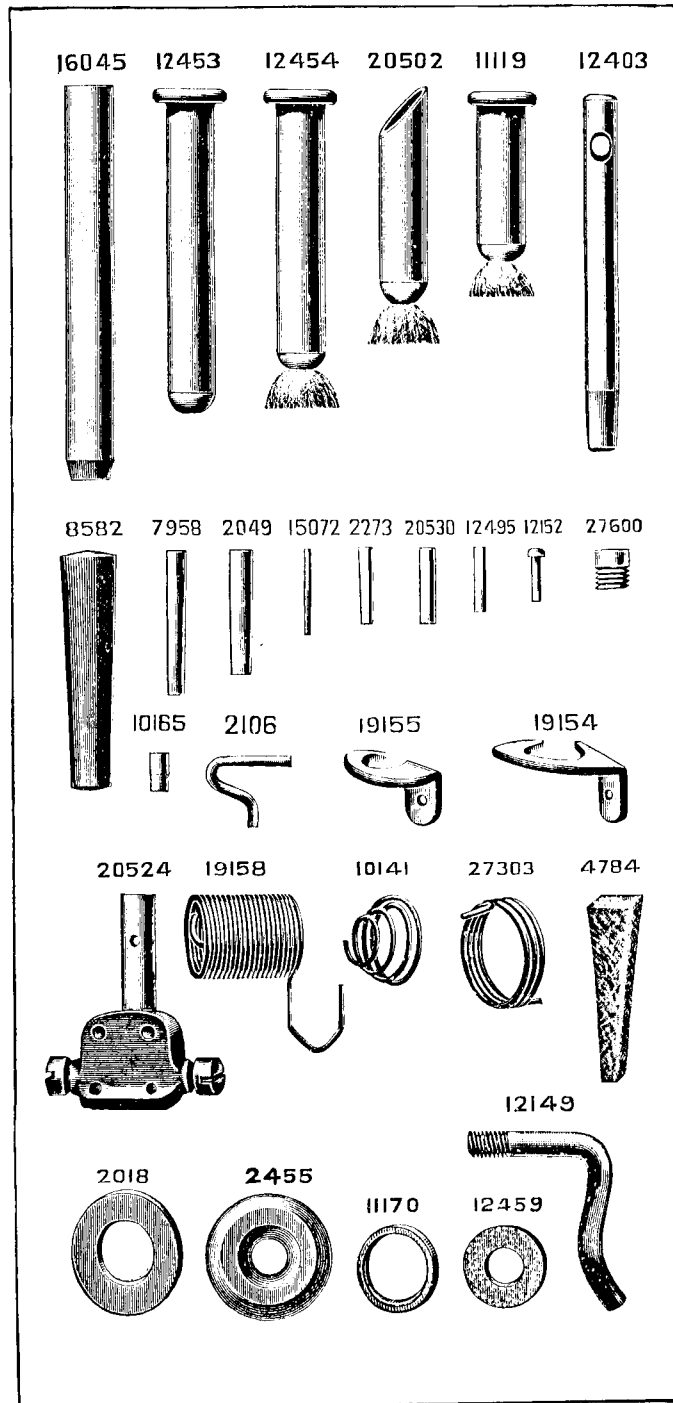
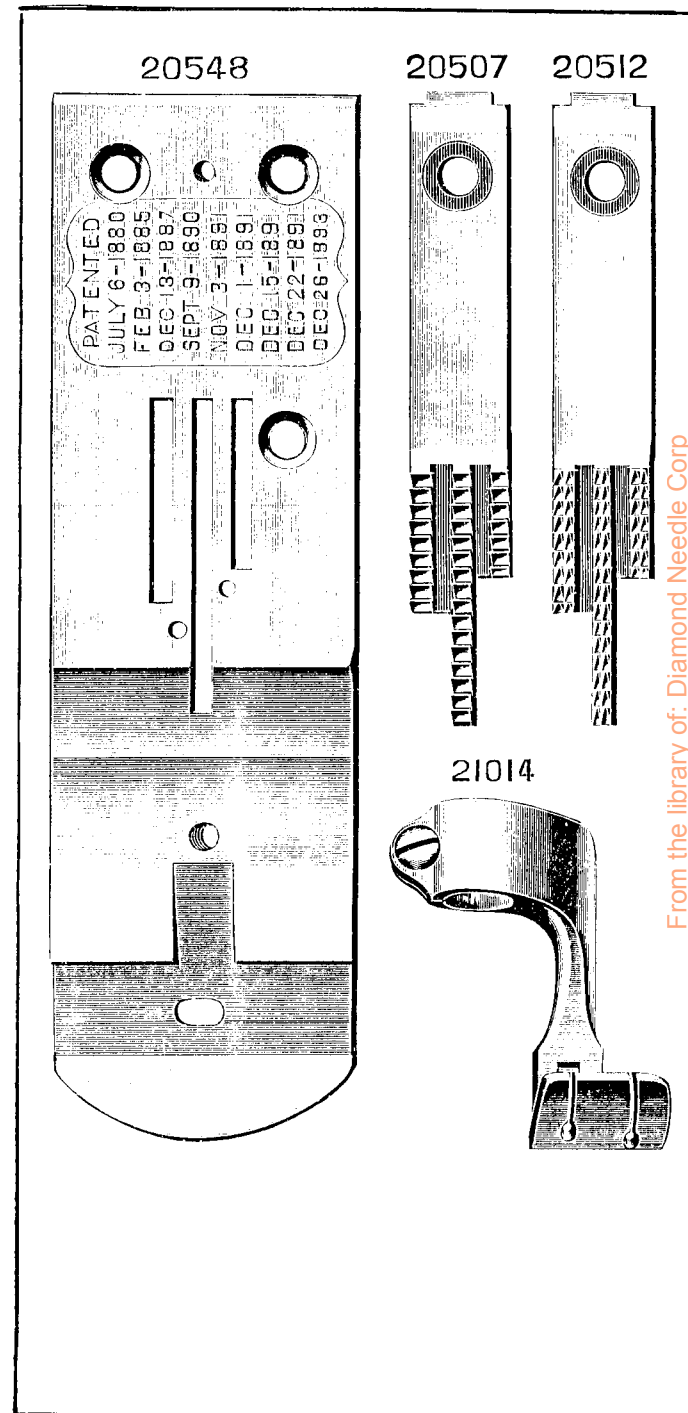


PLATE 1151—FULL SIZE



From the library of: Diamond Needle Corp

PLATE 1152—FULL SIZE

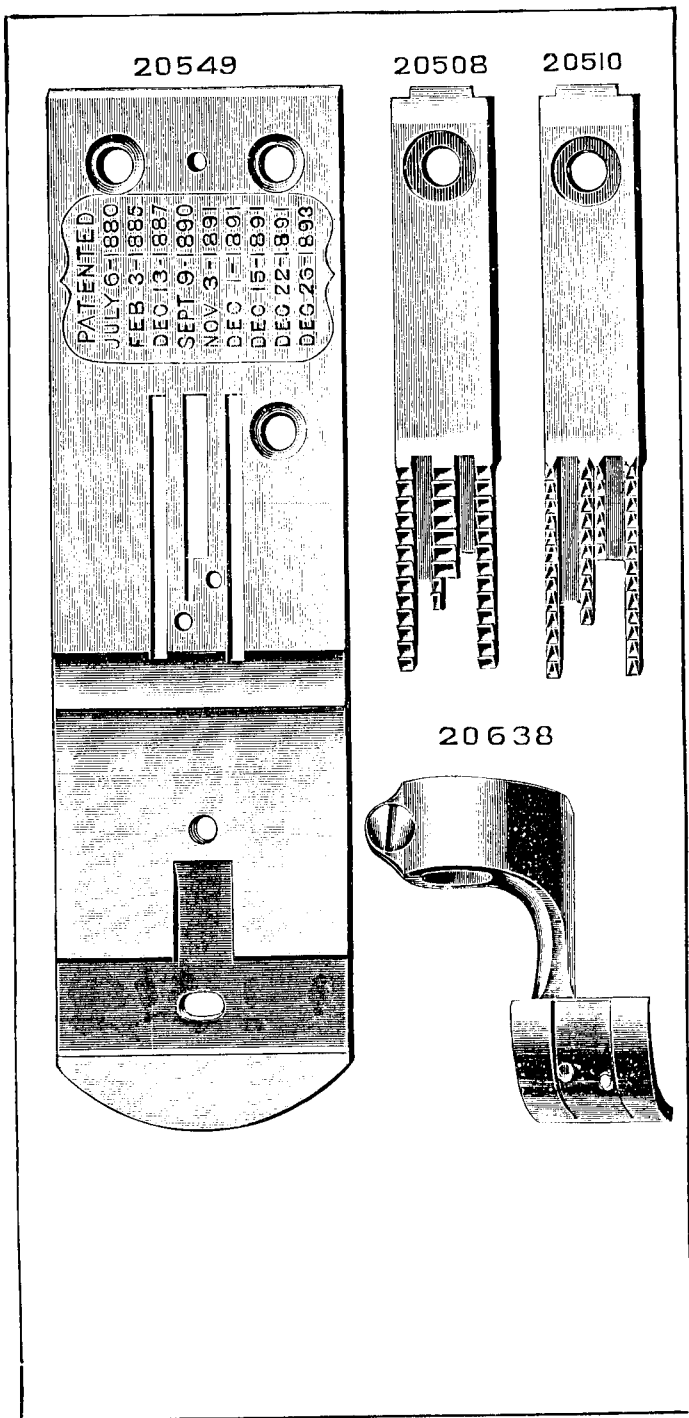


PLATE 1153—FULL SIZE

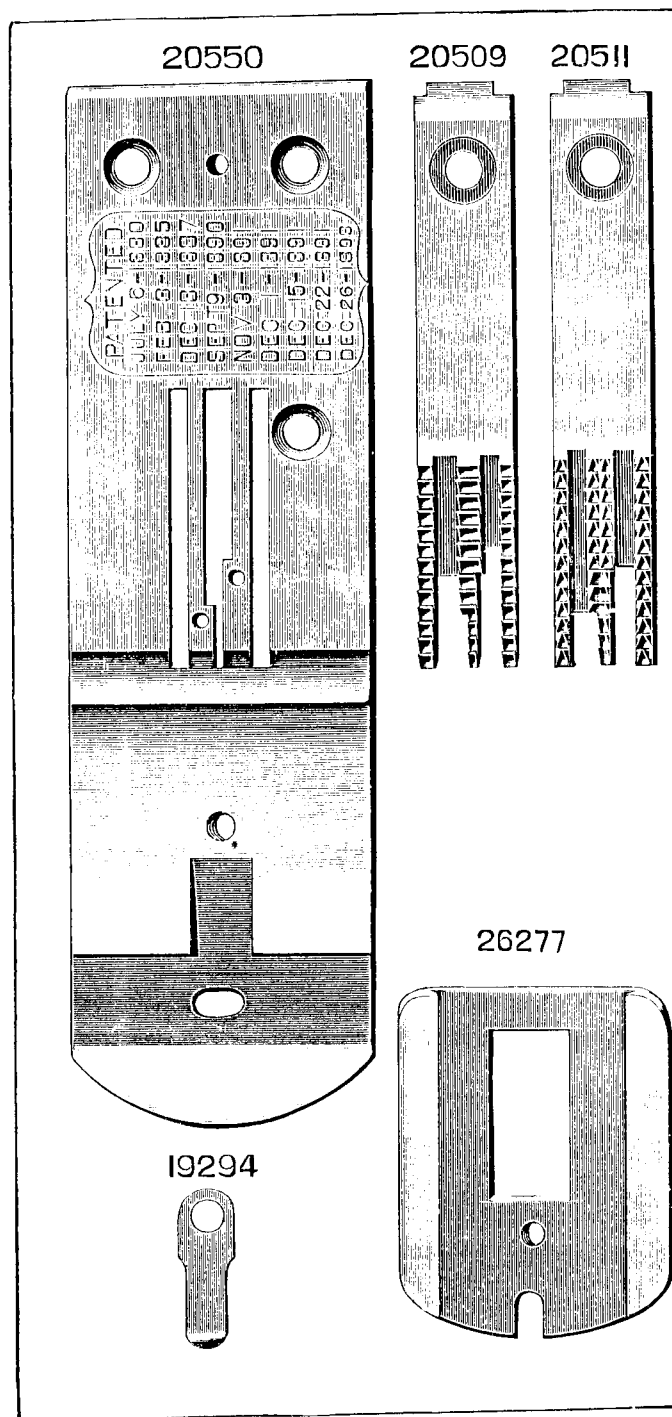


PLATE 1154—FULL SIZE

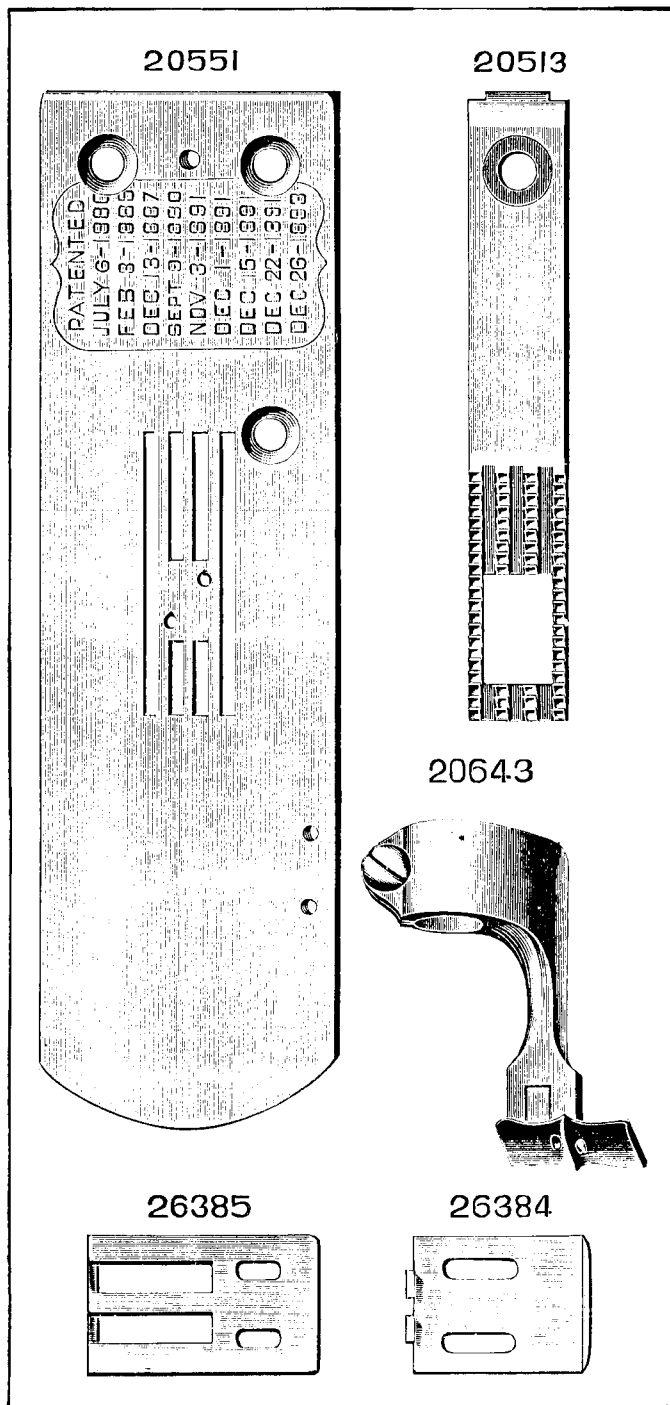


PLATE 1155—FULL SIZE

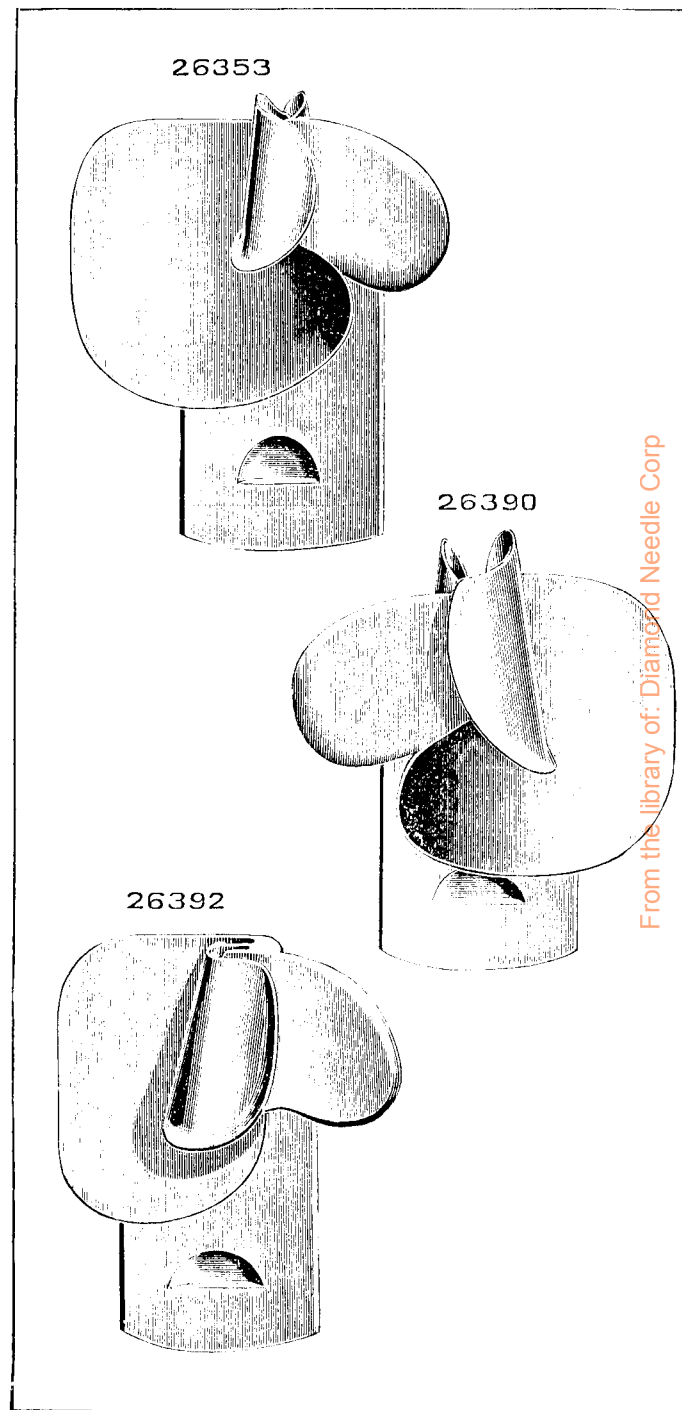


PLATE 1156—FULL SIZE

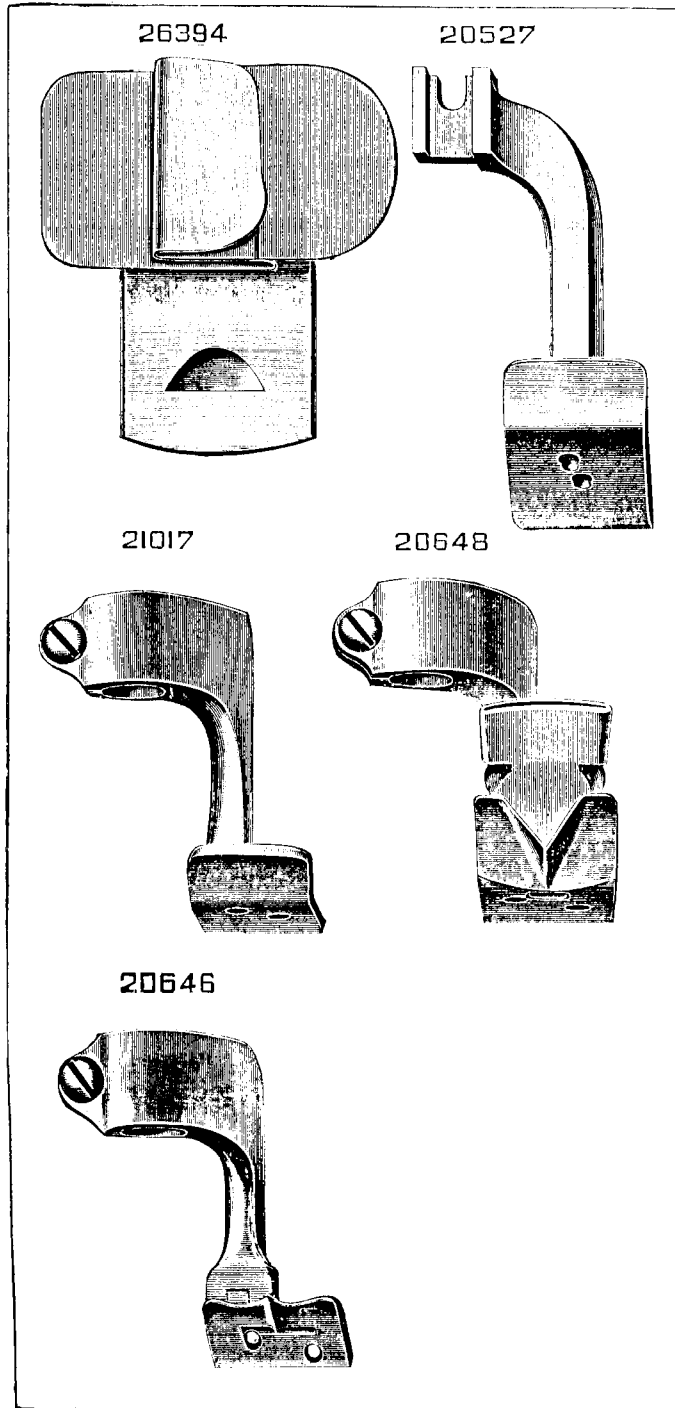
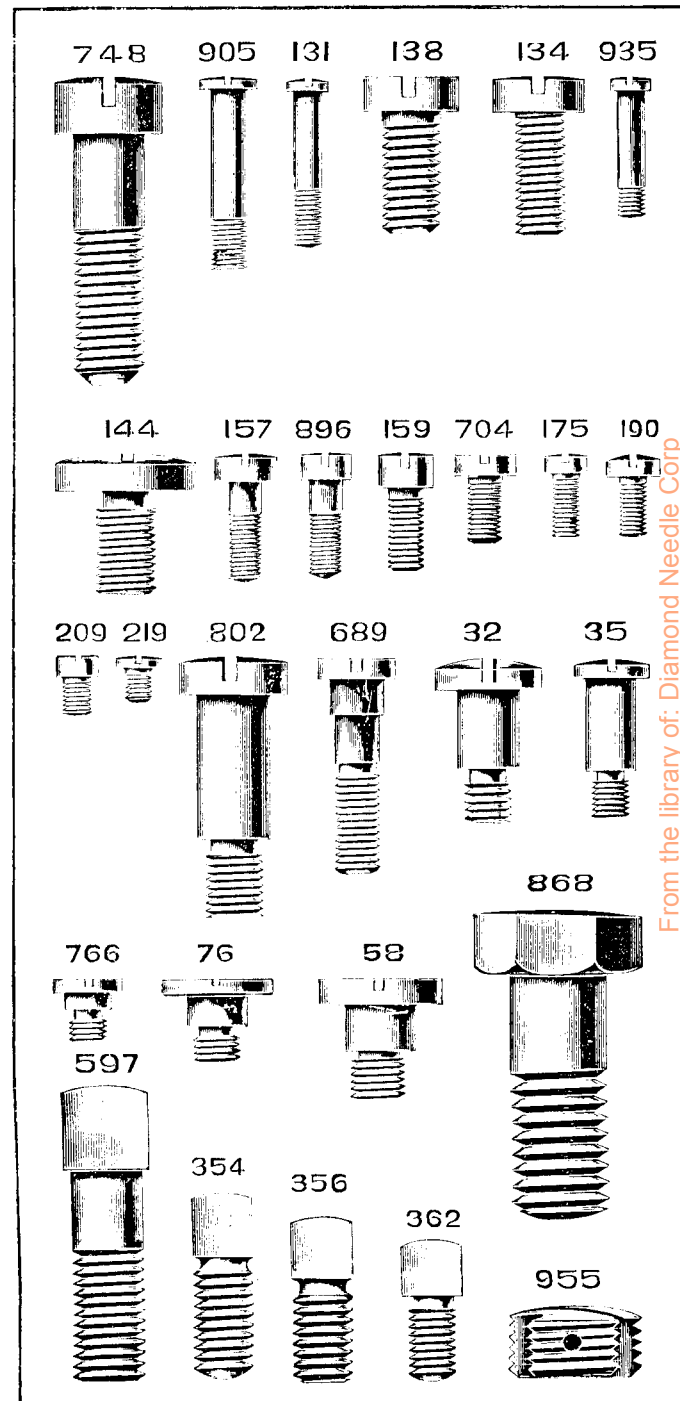


PLATE 1157—FULL SIZE



From the library of: Diamond Needle Corp

PLATE 1158—FULL SIZE

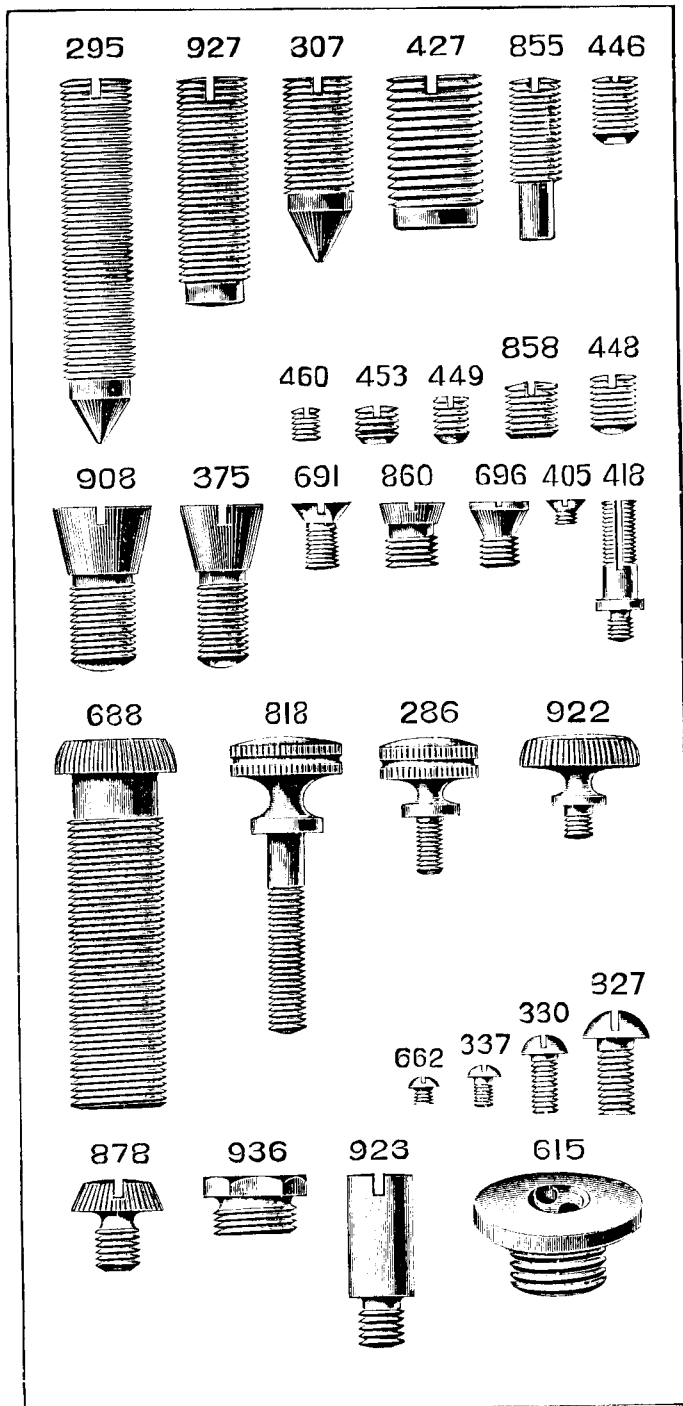
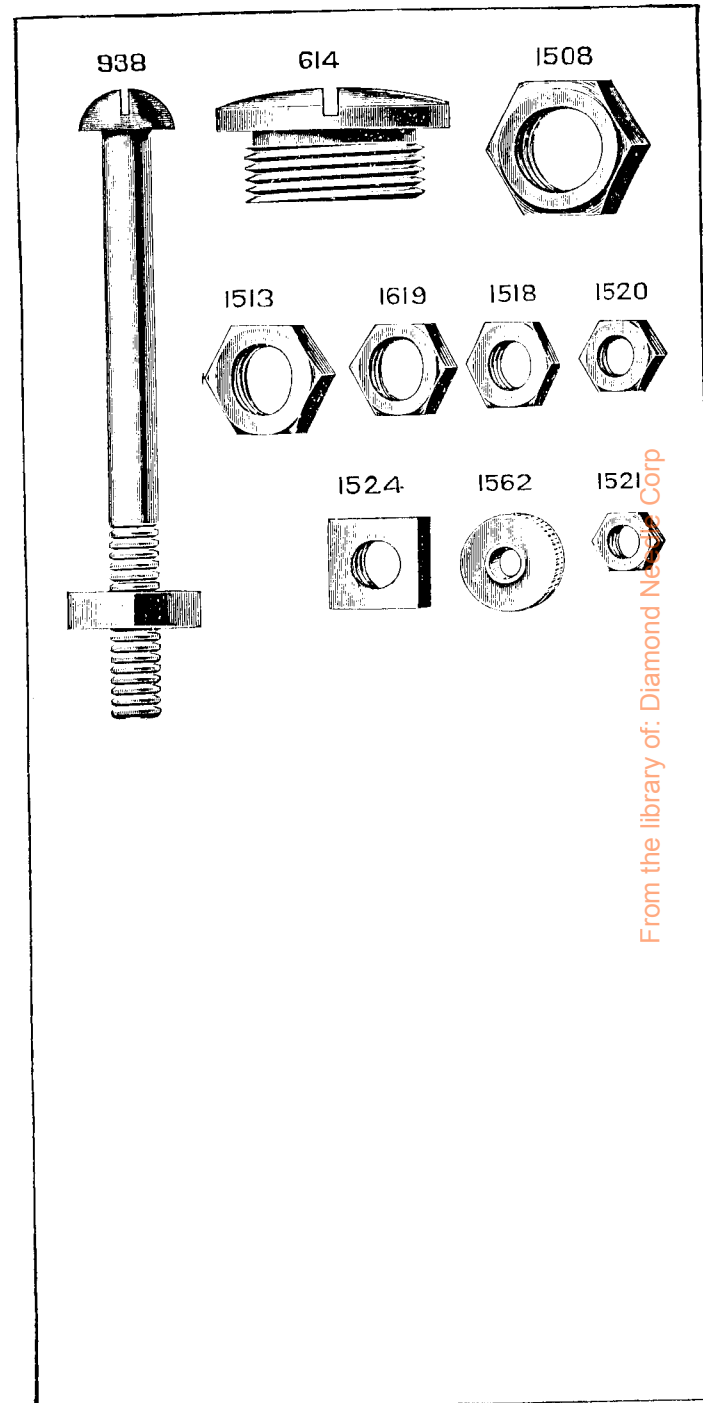


PLATE 1159—FULL SIZE



From the library of: Diamond News Corp

PLATE 1160—FULL SIZE

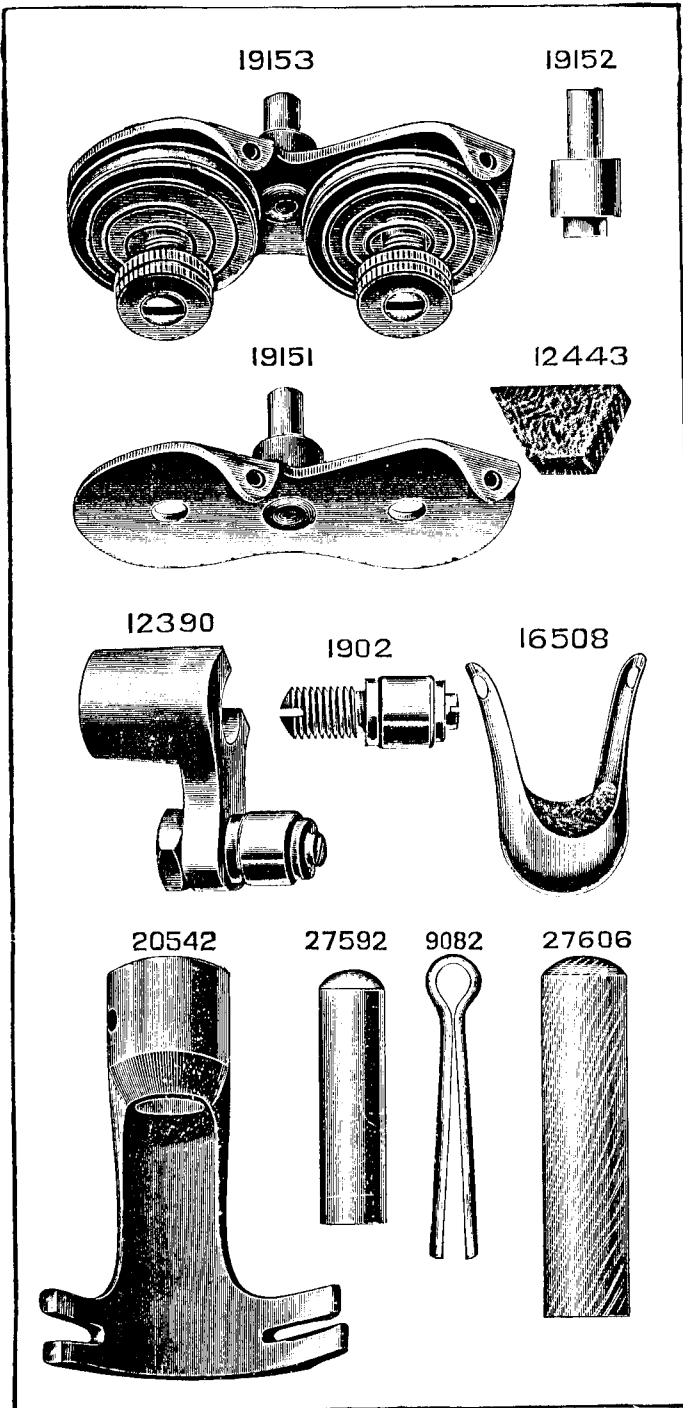
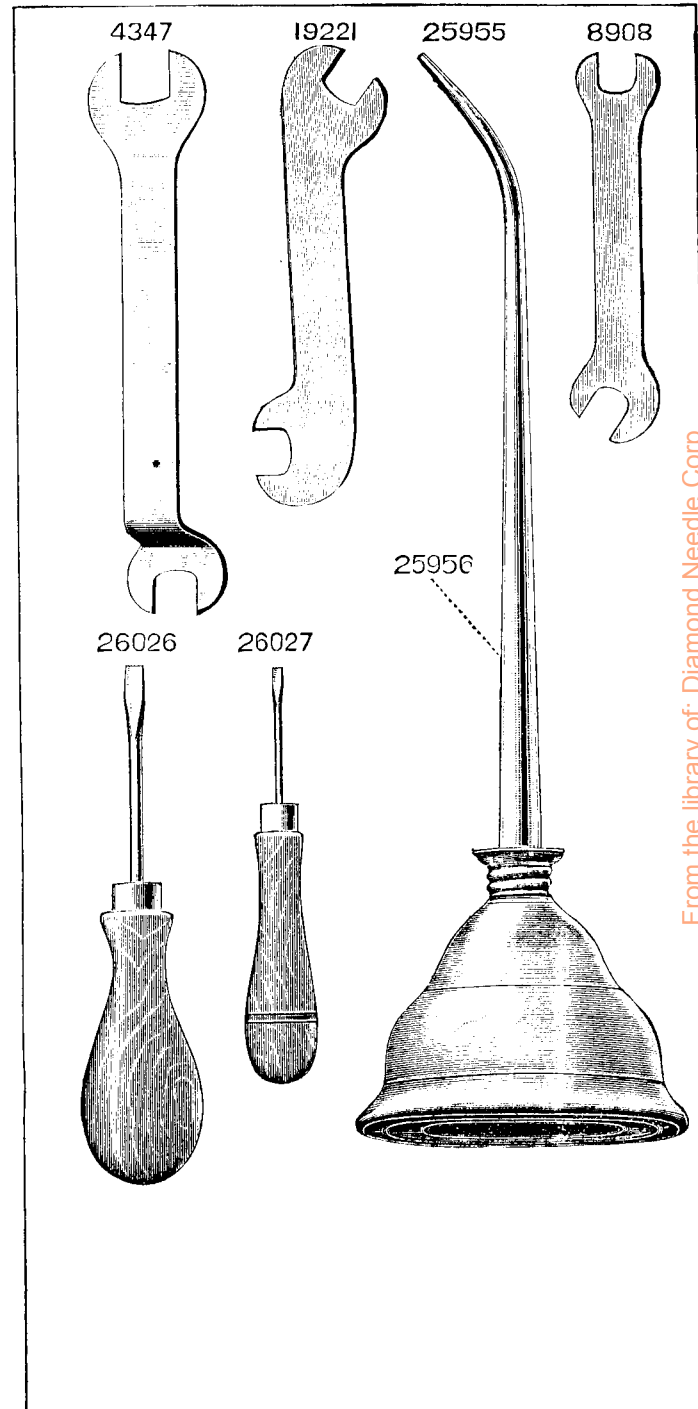


PLATE 1161—ONE-HALF SIZE



From the library of: Diamond Needle Corp.

PLATE 1162—ONE-HALF SIZE

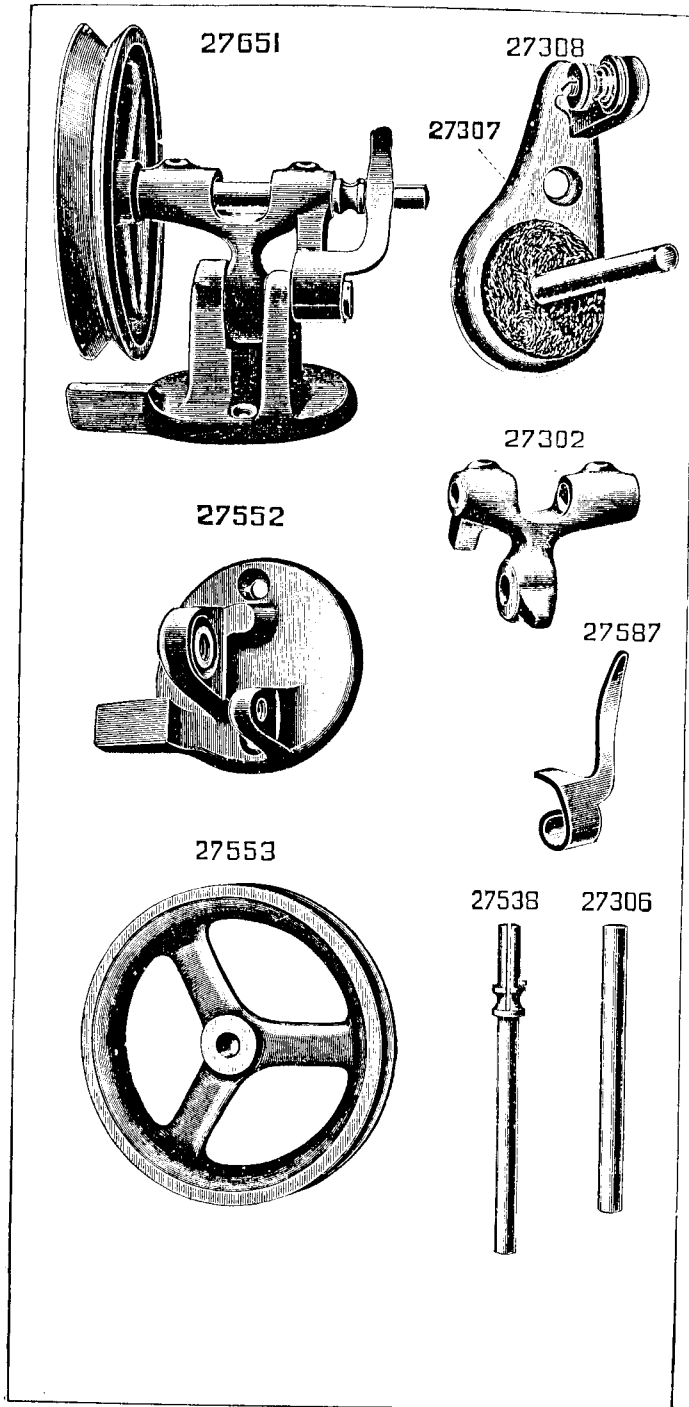
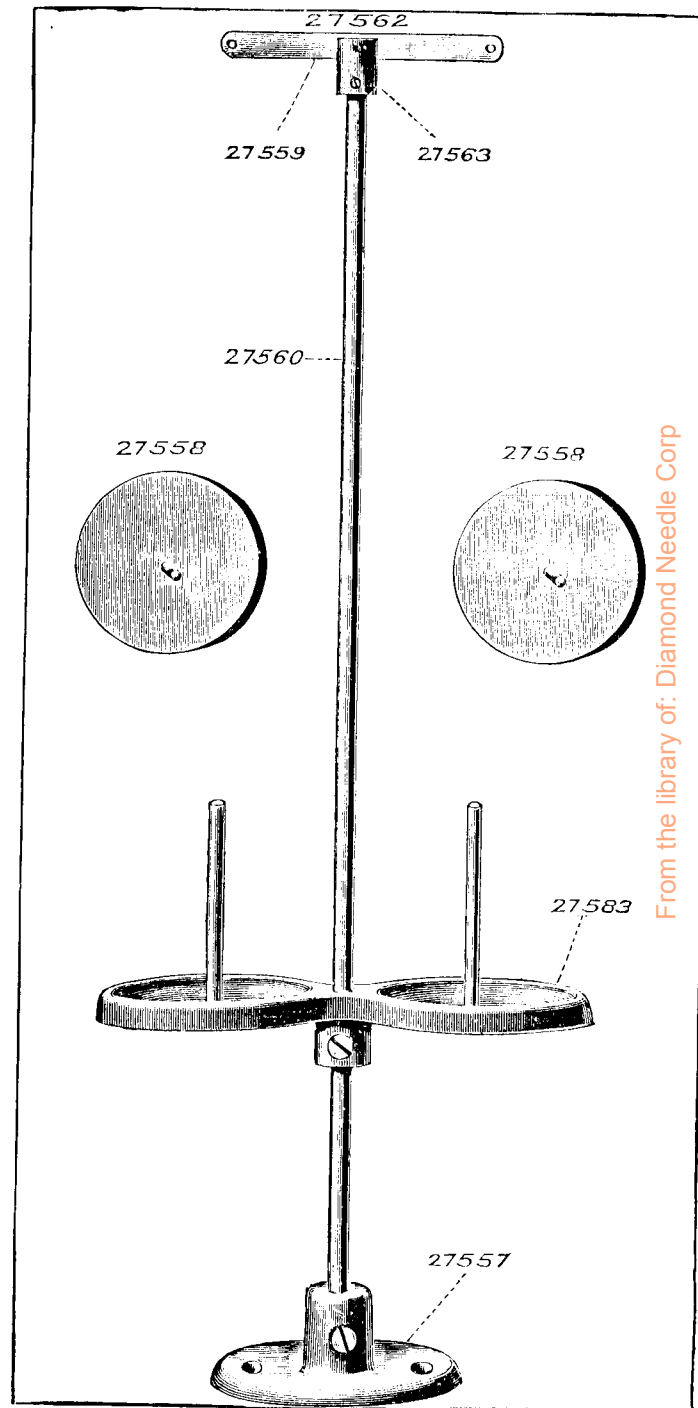


PLATE 1163—ONE-FOURTH SIZE



From the library of: Diamond Needle Corp

PLATE 1164—ONE-FOURTH SIZE

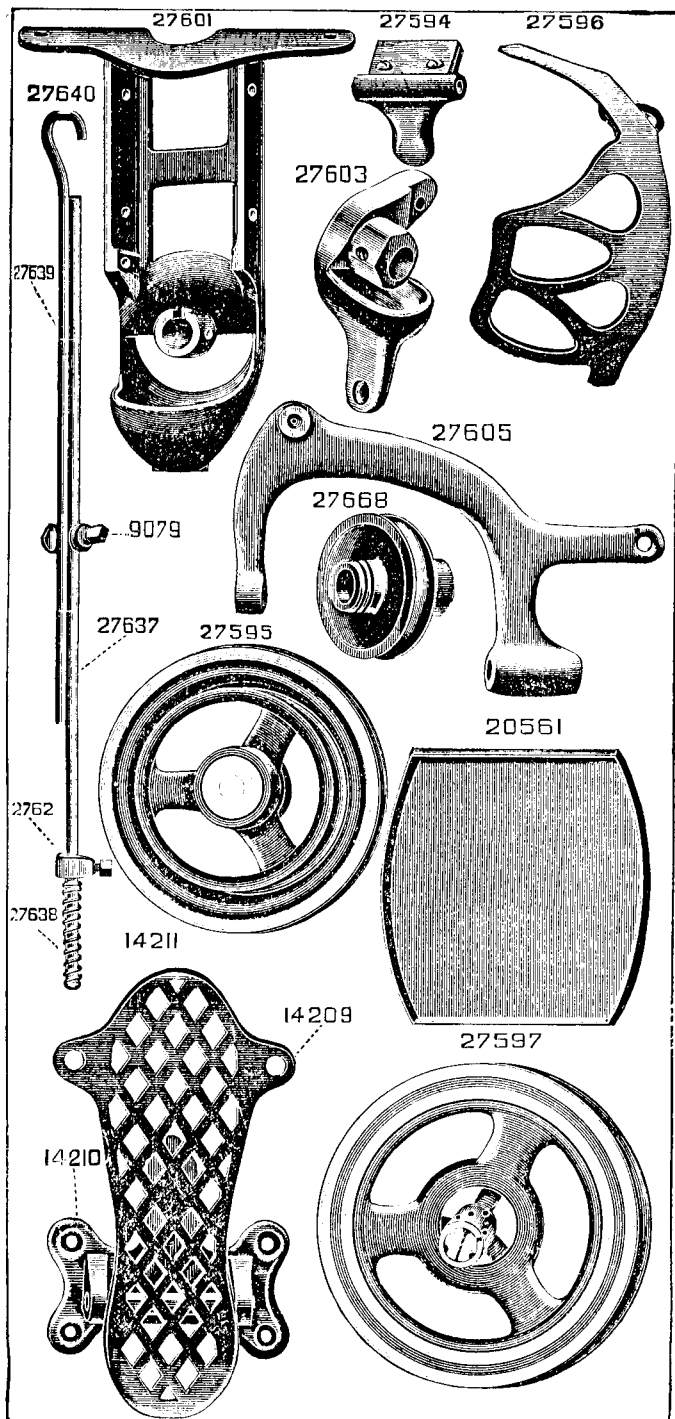
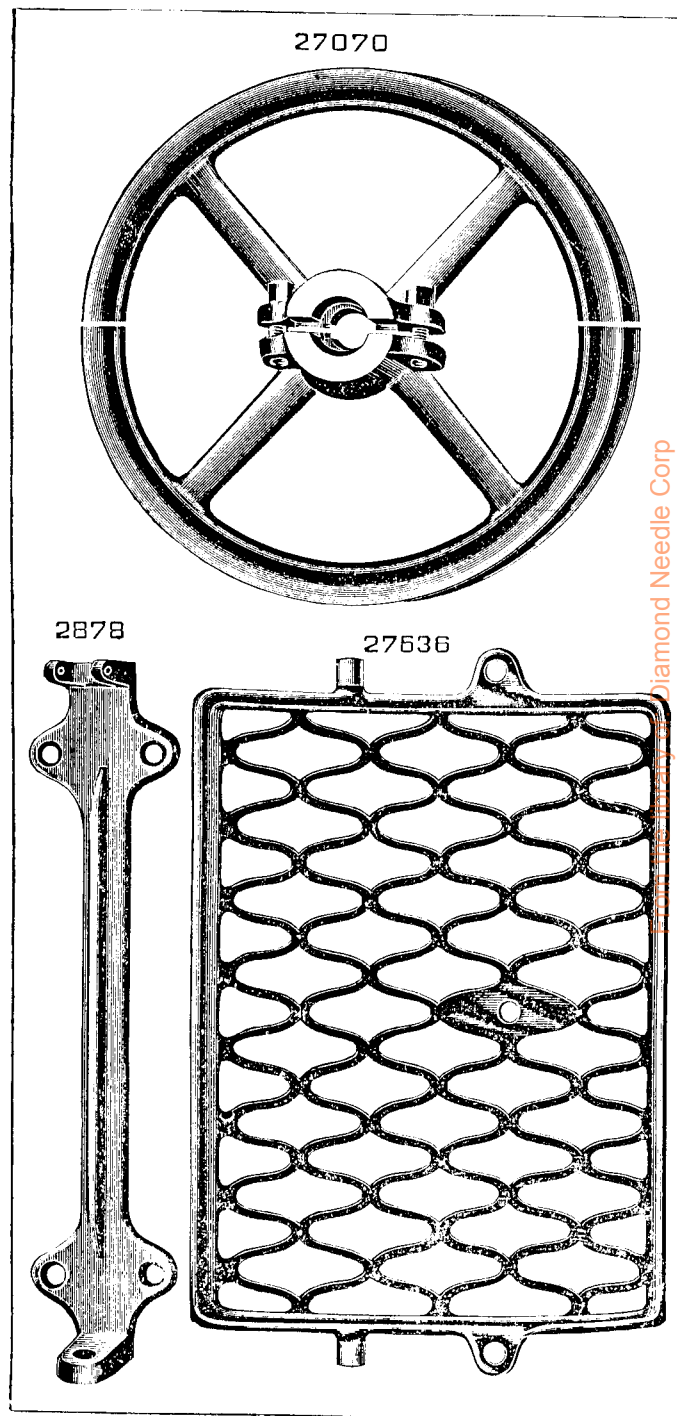


PLATE 1165—ONE-FOURTH SIZE



Diamond Needle Corp